



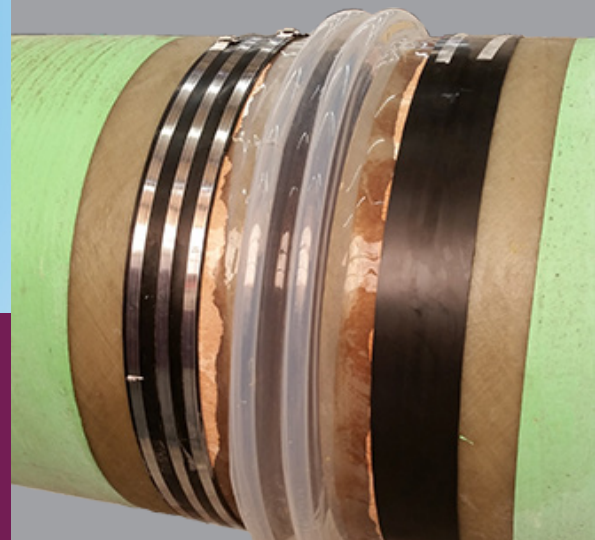
Versilon™ FEP Expansion Joints

FEP Expansion Joints for Fiberglass Reinforced Piping (FRP)

Description

Versilon FEP Expansion Joints withstand the toughest chemical environments including hot chlorine gas. Typically installed on fiberglass reinforced (FRP) piping systems operating under vacuum conditions, Versilon FEP Expansion Joints outlast conventional ball and spigot expansion joints in aggressive chemical applications.

Versilon FEP Expansion Joints utilize a bellows configuration and can be made to fit a wide range of standard pipe diameters up to 60 inches. The rim of the expansion joint is etched to provide a strong bond to the FRP piping, and the expansion joints are packaged with fluorosilicone sealant, EPDM rubber strips, and stainless steel bands - everything required to install the joints and prevent costly leakage in your system.



Features and Benefits

- Made of highly chemically resistant FEP fluoropolymer
- Flexible in sub-freezing conditions
- Withstands operating temperatures up to 400°F (204°C)
- Easy and fast installation - reduces maintenance time.

Typical Applications

- Chloralkali processing
- Large-scale FRP pipe installations

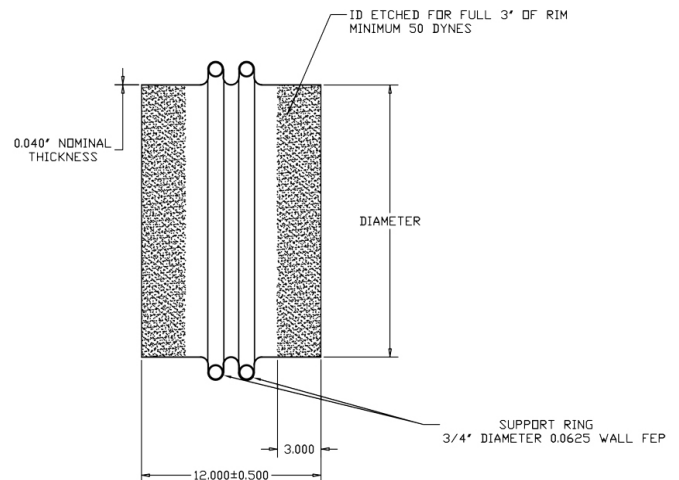
Versilon™ FEP Expansion Joints

Part Number	Description	Actual Expansion Joint Diameter	Rubber Material	Band Material
CJFE6-038	38in FEP 160 Expansion Joint	38.500"	EPDM	201 Stainless Steel
CJFE6-16	16in NOM. Expansion Joint	18.200"	EPDM	201 Stainless Steel
CJFE6-18	18in NOM. Expansion Joint	20.500"	EPDM	201 Stainless Steel
CJFE6-18-M	18in NOM. Expansion Joint	20.500"	Viton	Monel 400
CJFE6-20	18in NOM. Expansion Joint	22.150"	EPDM	201 Stainless Steel
CJFE6-24	24in NOM. FEP Expansion Joint	26.000"	EPDM	201 Stainless Steel
CJFE6-24-M	24in NOM. Expansion Joint	26.000"	Viton	Monel 400
CJFE6-26	26in NOM. FEP Expansion Joint	27.725"	EPDM	201 Stainless Steel
CJFE6-26-M	36in NOM. FEP Expansion Joint	27.725"	Viton	Monel 400
CJFE6-27	27in NOM. FEP Expansion Joint	28.375"	EPDM	201 Stainless Steel
CJFE6-30	30in NOM. FEP Expansion Joint	31.850"	EPDM	201 Stainless Steel
CJFE6-30-NSS	30in NOM. FEP Expansion Joint	31.640"	EPDM	None
CJFE6-36	36in NOM. FEP Expansion Joint	37.775"	EPDM	201 Stainless Steel
CJFE6-36-M	36in NOM. FEP Expansion Joint	37.775"	Viton	Monel 400
CJFE6-36-NSS	36in NOM. FEP Expansion Joint	37.640"	EPDM	None
CJFE6-42	42in NOM. FEP Expansion Joint	44.775"	EPDM	201 Stainless Steel
CJFE6-42-M	42in NOM. FEP Expansion Joint	44.775"	Viton	Monel 400
CJFE6-42-NSS	42in NOM. FEP Expansion Joint	43.780"	EPDM	None
CJFE6-45	45in NOM. FEP Expansion Joint	44.775"	Viton	Monel 400
CJFE6-48	48in NOM. FEP Expansion Joint	47.550"	EPDM	201 Stainless Steel
CJFE6-48-M	48in NOM. FEP Expansion Joint	49.500"	Viton	Monel 400
CJFE6-51	51in NOM. FEP Expansion Joint	50.850"	EPDM	201 Stainless Steel
CJFE6-54	54in NOM. FEP Expansion Joint	57.250"	EPDM	201 Stainless Steel
CJFE6-54-M	54in NOM. FEP Expansion Joint	57.250"	Viton	Monel 400
CJFE6-60	60in NOM. FEP Expansion Joint	62.750"	EPDM	201 Stainless Steel

Custom sizes available upon request.

Typical Physical Properties

Property	Value or Rating
Maximum Recommended Operating Temperature, °F (°C)	400 (204)
Tensile Strength at break, psi (MPa)	≥3920 (≥27.0)
Elongation at Break	≥320%
Specific Gravity	2.15-2.17



Saint-Gobain Performance Plastics
 210 Harmony Road
 Mickleton, NJ 08056

Tel: (856) 423-6630
 Fax: (856) 423-8182

www.processsystems.saint-gobain.com

NOTE: The data and details given in this document are correct and up to date. This document is intended to provide information about the product and possible applications. This document is not the product specification and does not provide specific features, nor does it guarantee product performance in specific applications. Saint-Gobain cannot anticipate or control the conditions of the field and for this reason strongly recommends that practical tests are conducted to ensure that the product meets the requirements of a specific application.

Versilon™ is a trademark of Saint-Gobain Performance Plastics.