



FURON[®]
Pure Performance

Furon[®] UPRP Precision Regulator

Pneumatically Actuated (1/4" Orifice)

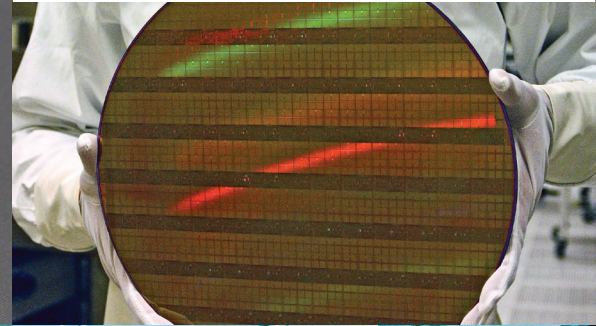
Description

Furon UPRP Precision Pressure Regulators are engineered to control downstream fluid pressures with the utmost precision. A large sensing dome allows for a 1:1 ratio between the pilot air pressure and the desired output pressure. For example, setting the pilot air pressure to 40 psi will regulate the fluid output pressure to approximately 40 psi. Additionally, our unique diaphragm design assures that the regulators will not "chatter" at the lower end of the pressure range settings, a behavior common to many types of competing pressure regulators.

Wetted flow path is 100% PTFE and PFA and the regulator is 100% metal-free and elastomer-free, making the UPRP Pressure Regulators an ideal choice for Semiconductor applications, or any other application requiring high purity and/or superior chemical resistance.

Applications

- Precise regulation of pressures in aggressive or ultrapure chemical or DI water lines
- Protecting sensitive instrumentation from pressure spikes
- Preventing foreign particles from being forced through filtration membranes due to unstable pressures



Features and Benefits

- Precise, chatter-free control of downstream fluid pressure
- Handles fluid temperatures up to 194° F (90° C)
- All virgin PTFE/Fluoroloyt[®] and PFA wetted flow path
- Non-metallic external surfaces
- Secondary diaphragm protects air system
- PTFE isolation bellows
- Integral leak port

ASK AN ENGINEER


SAINT-GOBAIN

Furon® UPRP Precision Regulator

www.processsystems.saint-gobain.com

Furon UPRP 1/4" Precision Pressure Regulator

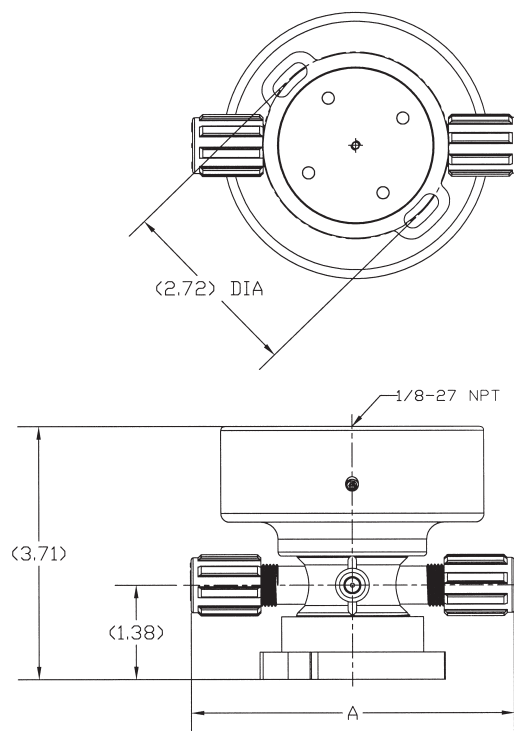
Part Number	End Connection	Orifice (in.)	Port Size (in.)	A (in.)
UPRP-F44-P	Flaregrip® II	1/4	1/4	4.5 (114.3 mm)
UPRP-F46-P	Flaregrip® II	1/4	3/8	4.75 (120.7 mm)
UPRP-F48-P	Flaregrip® II	1/4	1/2	5.35 (135.9 mm)
UPRP-744-P	Fusebond™	1/4	1/4	4.9 (124.5 mm)
UPRP-S30044-P	Super 300®	1/4	1/4	4.5 (114.3 mm)
UPRP-S30046-P	Super 300®	1/4	3/8	4.75 (120.7 mm)
UPRP-S30048-P	Super 300®	1/4	1/2	5.35 (135.9 mm)

Operating Specifications

Max. Operating Pressure	90 psig (6.2 bar)
Max. Operating Temperature	194° F (90° C)
Pressure Regulation Range	10 - 60 psig (0.7 - 4.1 bar)
Flow Factor	C _v 0.8
Body	PTFE
Diaphragm	Modified PTFE
Top Cap (Air Actuator)	Polypropylene

Standard Options

- High temperature version (320° F / 160° C)
- Other end connections not listed



Saint-Gobain Performance Plastics
7301 Orangewood Avenue
Garden Grove, CA 92841

1-800-833-5661
Tel: (714) 630-5818
Fax: (714) 688-2614

www.processsystems.saint-gobain.com

NOTE: The data and details given in this document are correct and up to date. This document is intended to provide information about the product and possible applications. This document is not the product specification and does not provide specific features, nor does it guarantee product performance in specific applications. Saint-Gobain cannot anticipate or control the conditions of the field and for this reason strongly recommends that practical tests are conducted to ensure that the product meets the requirements of a specific application.

Furon®, FlareGrip® and FuseBond™ are registered trademarks of Saint-Gobain Performance Plastics. Super 300® is a registered trademark of Nippon Pillar Packaging Co. LTD.

IMPORTANT: It is the user's responsibility to ensure the suitability and safety of Saint-Gobain Performance Plastics products for all intended uses and that the components to be used comply with all applicable regulatory requirements. Saint-Gobain Performance Plastics assumes no responsibility for any product failures that occur due to misuse arising out of the design, fabrication or application of the products into which they are incorporated.

WARRANTY: For a period of 12 months from the date of first sale, Saint-Gobain Performance Plastics warrants this product to be free of defects in materials and workmanship. The only obligation under any applicable product warranty will be to replace any portion proving defective, or at our option, to refund the purchase price thereof. THIS IS THE EXCLUSIVE WARRANTY AND IS EXPRESSLY IN LIEU OF ANY AND ALL OTHER OBLIGATIONS, GUARANTEES, WARRANTIES AND REPRESENTATIONS. SAINT-GOBAIN PERFORMANCE PLASTICS DISCLAIMS ALL IMPLIED WARRANTIES OF MERCHANTABILITY AND FITNESS FOR A PARTICULAR PURPOSE.