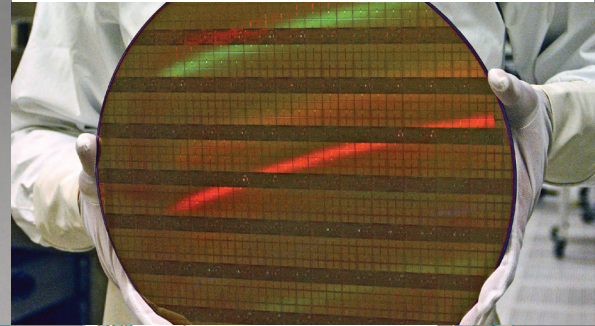




FURON[®]
Pure Performance



Furon[®] Turbo Pump

Magnetically Driven Boosting Pump

Description

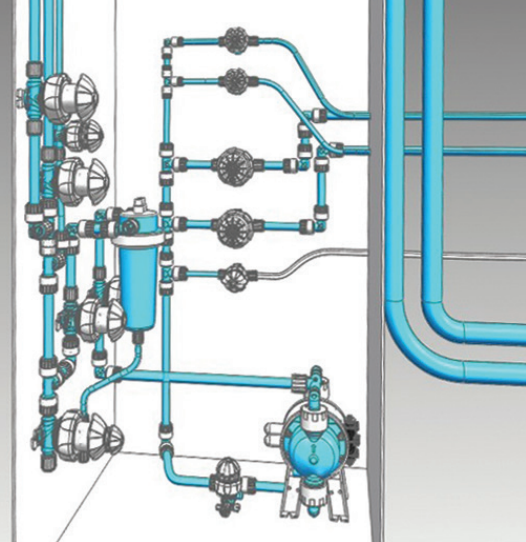
Furon Turbo Pumps are magnetically-driven turbine pumps engineered to boost fluid pressure in deionized (DI) water applications, and with other low viscosity fluids.

With a body and impeller constructed from 100% virgin PTFE, Furon Turbo Pumps are suitable for use in ultra-pure DI water. Inlet pressures ranging from 15 to 60 PSIG (1 to 4 bar) may be boosted to outlet pressures ranging from 90 - 110 PSIG (6.2 - 7.6 bar). Motors are available in several voltage configurations, providing compatibility with all countries.

Furon Turbo Pumps are ideal for use in spray systems, or other applications requiring water line pressures to be boosted for optimal performance.

Applications

- DI water pressure boosting in spray applications
- Cleaning systems in the Semiconductor industry
- Boosting line pressures in low viscosity fluid applications



Features and Benefits

- Boosts pressures in low viscosity fluid lines
- 100% virgin PTFE and Alumina Ceramic wetted surfaces
- Non-pulsating output flow
- 100% elastomer free construction

ASK AN ENGINEER


SAINT-GOBAIN

Furon Turbo Pump

Part Number	Voltage	End Connection	Orifice (in)	Port Size (in)
3000403	115/230 V, 60 Hz, 1 Phase	Coarse Thread Flare	3/4	3/4
3000433	220/240 V, 60 Hz, 3 Phase	Coarse Thread Flare	3/4	3/4
3000426	110/220 V, 50 Hz, 1 Phase	Coarse Thread Flare	3/4	3/4
3000435	220/440 V, 50 Hz, 3 Phase	Coarse Thread Flare	3/4	3/4

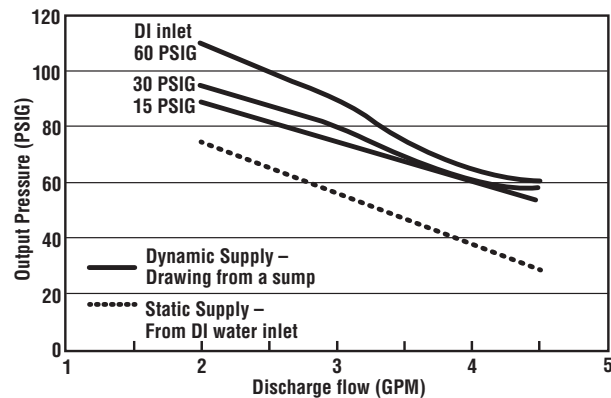
Operating Specifications

Max. Operating Temperature	Ambient: 149°F (65°C) Media: 122°F (50°C)
Required Inlet Pressure	15 - 60 PSIG (4 bar)
Maximum Discharge Flow Rate	4.5 GPM (18 lpm)
Power Requirements	See ordering info table
Pump Body	Virgin PTFE
Impeller	Virgin PTFE
Drive Shaft	Alumina Ceramic

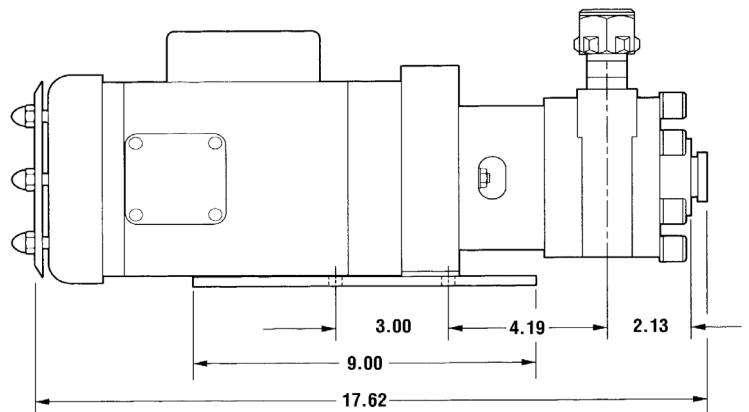
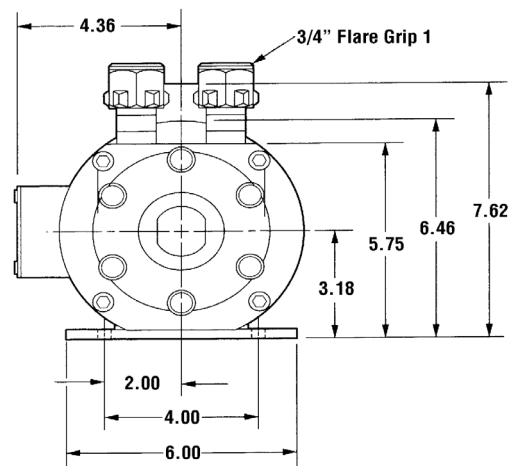
Options

- Other end connections not listed.

[Please consult factory](#) for details.



Curves represent DI water at 20°C and 60Hz operation.



Saint-Gobain Performance Plastics
7301 Orangewood Avenue
Garden Grove, CA 92841
1-800-833-5661
Tel: (714) 630-5818
Fax: (714) 688-2614

Saint-Gobain Performance Plastics - France
56, Chemin des Berthilliers
71850 Charnay-lès-Mâcon, France
Tel: (33) 3-85-20-27-00
Fax: (33) 3-85-29-18-48
www.furon.com

NOTE: The data and details given in this document are correct and up to date. This document is intended to provide information about the product and possible applications. This document is not the product specification and does not provide specific features, nor does it guarantee product performance in specific applications. Saint-Gobain cannot anticipate or control the conditions of the field and for this reason strongly recommends that practical tests are conducted to ensure that the product meets the requirements of a specific application.

Furon®, FlareGrip® and FuseBond™ are registered trademarks of Saint-Gobain Performance Plastics.

IMPORTANT: It is the user's responsibility to ensure the suitability and safety of Saint-Gobain Performance Plastics products for all intended uses and that the components to be used comply with all applicable regulatory requirements. Saint-Gobain Performance Plastics assumes no responsibility for any product failures that occur due to misuse arising out of the design, fabrication or application of the products into which they are incorporated.

WARRANTY: If Product is Purchased by Customer for use: Saint-Gobain warrants that the Product Specifications is for a period of 18 months, provided Customer can establish that the Product did not conform to Specification at time of delivery and the non-conformance of the Product to Specification has not been caused as a result of any action or inaction by the Customer or Customer's storage conditions. If Product is Purchased by Distributor or Reseller: Saint-Gobain warrants that the Product Specifications for a period of 18 months, provided Distributor can establish that the Product did not conform to Specification at time of delivery and the non-conformance of the Product to Specification has not been caused as a result of any action or inaction by the Distributor/Reseller or its or because of storage conditions under which the Product is stored at Distributor/Reseller's and/or Customer/End User's storage facility. THIS IS THE EXCLUSIVE WARRANTY AND IS EXPRESSLY IN LIEU OF ANY AND ALL OTHER OBLIGATIONS, GUARANTEES, WARRANTIES AND REPRESENTATIONS. SAINT-GOBAIN PERFORMANCE PLASTICS DISCLAIMS ALL IMPLIED WARRANTIES OF MERCHANTABILITY AND FITNESS FOR A PARTICULAR PURPOSE.