



**FURON**<sup>®</sup>  
Pure Performance

# Furon<sup>®</sup> MDP 50

## Mini Dispensing Pump (0-0.5 mL)

### Description

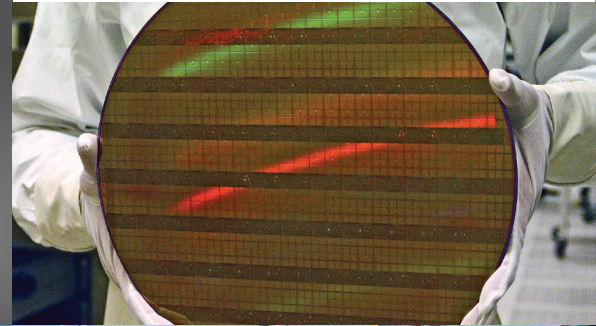
Furon MDP 50 pumps provide an efficient solution for accurately dispensing small amounts of liquids. Designed with a 100% fluoropolymer wetted flow path, Furon mini dispensing pumps are suitable for use with highly corrosive media, or in applications where ultra-high purity media is a must.

Furon MDP 50 pumps are pneumatically driven. When pilot air is applied to the actuator, the pump dispenses the desired volume. Manual adjustment knobs allow for easy setting of dispense volume (shot size) and dispense speed. Patented PTFE rolling diaphragm technology assures high dispense accuracy and repeatability.

Compact and efficient design makes Furon mini dispensing pumps an ideal solution for dosing of liquids in Semiconductor wet processes, accurate dispensing of liquids into containers or vials (filling line equipment), industrial chemical processing, or any other application requiring accurate dispensing of small doses of liquid.

### Applications

- Dosing of liquids in Semiconductor wet processes
- Blending of abrasive slurries in CMP systems
- Spiking chemicals into DI water streams
- Dispensing of liquids into containers (Fill and Finish)
- Injection of colors, flavors, or other chemicals in a manufacturing process
- Laboratory equipment



### Features and Benefits

- Efficiently dispenses small amounts of liquid (up to 0.5 mL)
- Ideal alternative to peristaltic pumps
- Virgin PTFE and PFA wetted flow path suitable for ultrapure applications
- Suitable for use with corrosive and aggressive media
- Dispense accuracy and repeatability  $\pm 1\%$
- Fine adjustable dispense volume and speed
- Compact design

ASK AN ENGINEER

  
**SAINT-GOBAIN**

## Pump Ordering Information

Part Number	Max Dispense Volume	End Connection	Orifice	Port Size
MDP50	0.5 mL	FlareGrip® II	1/4" (6.35 mm)	1/4" (6.35 mm)

## Operating Specifications

Ambient Operating Temperature	32° F to 120° F (0° C to 50° C)
Media Operating Temperature	41° F to 180° F (5° C to 82° C)
Single Dispense Capacity (shot size)	0 - 0.5 mL
Dispense Speed	Full dispense in 0.5 sec to 3.0 sec, Adjustable 0.16 to 0.5 mL/sec
Dispense Accuracy	±1%
Dispense Repeatability	±1%
Actuation Air Pressure	50 - 70 PSIG (3.4 - 4.8 bar)
Maximum Discharge Pressure	4.5 PSIG (0.3 bar) at 70 PSIG (4.8 bar) air actuation

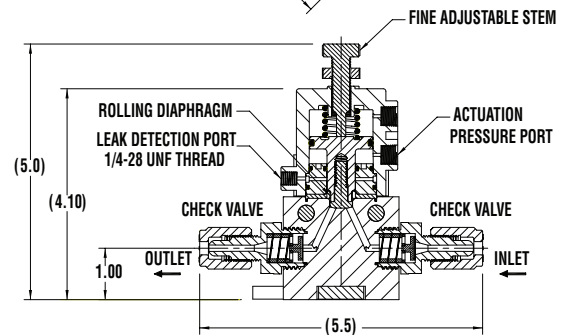
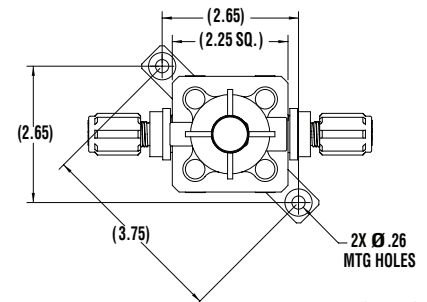
\* [Please consult factory](#) for higher viscosity >>

## Options Tube End

Alternate end connections

- Other sizes of flare ends
- Nipon Pillar Super 300
- Grab Seal
- Others not listed

[Please consult factory](#) for details.



### Saint-Gobain Performance Plastics

7301 Orangewood Avenue  
Garden Grove, CA 92841

1-800-833-5661  
Tel: (714) 630-5818  
Fax: (714) 688-2614

### Saint-Gobain Performance Plastics - France

56, Chemin des Berthilliers  
71850 Charnay-lès-Mâcon, France

Tel: (33) 3-85-20-27-00  
Fax: (33) 3-85-29-18-48

[www.processsystems.saint-gobain.com](http://www.processsystems.saint-gobain.com)

**NOTE:** The data and details given in this document are correct and up to date. This document is intended to provide information about the product and possible applications. This document is not the product specification and does not provide specific features, nor does it guarantee product performance in specific applications. Saint-Gobain cannot anticipate or control the conditions of the field and for this reason strongly recommends that practical tests are conducted to ensure that the product meets the requirements of a specific application.

Furon®, FlareGrip® and FuseBond™ are registered trademarks of Saint-Gobain Performance Plastics.

**IMPORTANT:** It is the user's responsibility to ensure the suitability and safety of Saint-Gobain Performance Plastics products for all intended uses and that the components to be used comply with all applicable regulatory requirements. Saint-Gobain Performance Plastics assumes no responsibility for any product failures that occur due to misuse arising out of the design, fabrication or application of the products into which they are incorporated.

**WARRANTY:** For a period of 12 months from the date of first sale, Saint-Gobain Performance Plastics warrants this product to be free of defects in materials and workmanship. The only obligation under any applicable product warranty will be to replace any portion proving defective, or at our option, to refund the purchase price thereof. **THIS IS THE EXCLUSIVE WARRANTY AND IS EXPRESSLY IN LIEU OF ANY AND ALL OTHER OBLIGATIONS, GUARANTEES, WARRANTIES AND REPRESENTATIONS. SAINT-GOBAIN PERFORMANCE PLASTICS DISCLAIMS ALL IMPLIED WARRANTIES OF MERCHANTABILITY AND FITNESS FOR A PARTICULAR PURPOSE.**