



Furon® InLine Valve

Manually Actuated 2-Way Valve

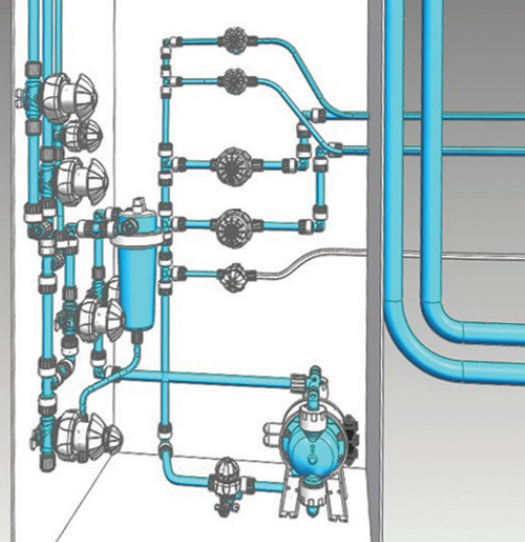
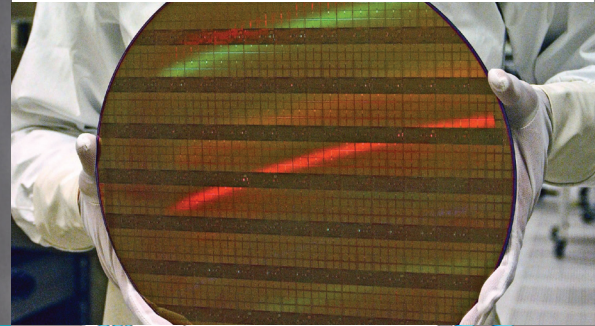
Description

Furon InLine Manual Valves are high-purity, injection molded valves designed to provide unparalleled high flow performance coupled with an ultra compact footprint. Our patented rolling diaphragm technology ensures a long life and enables a high pressure rating, coupled with a visual position indicator for added safety. Incorporating our innovative single seal union end fittings to the Furon InLine Valve it offers the advantages of a welded system with the ability to rapidly change out components while eliminating dead volume and elastomeric contamination.

Applications

- Bulk Chemical Delivery Systems and Chemical Distribution Systems in Semiconductor fabrications
- Chemical processing applications
- Ultrapure deionized water applications
- Suitable for use in abrasive slurry
- Applications requiring high back pressure (up to 100 PSIG/6.9 bar)

ASK AN ENGINEER



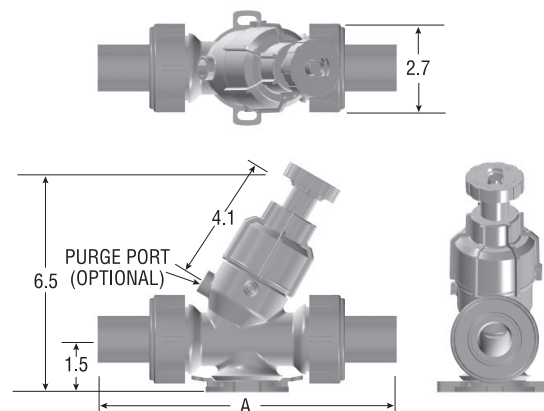
Features and Benefits

- True 1" Orifice
- 100% PFA HP and Virgin PTFE wetted flow path
- High Flow Factor of Cv 15
- Patented rolling diaphragm technology
- Fully swept, low shear internal flow path
- No exposed metallics
- Visual position indicator
- Tested for more than 1 million cycles
- Tested for HCl reliability for more than 450,000 cycles in pneumatic version

Furon InLine Valve - Manual

Part Number	End Connection	Orifice (in)	End Connection Size (in)	A (in)
INL2-F1612-MT	FlareGrip® II	1	3/4	8.4 (214 mm)
INL2-F1616-MT	FlareGrip® II	1	1	9.1 (231 mm)
INL2-F1620-MT	FlareGrip® II	1	1-1/4	9.3 (237 mm)
INL2-71616-MT	FuseBond™	1	1	8.5 (216 mm)
INL2-S3001612-MT	Nippon Pillar Super 300®	1	3/4	Please contact us
INL2-S3001616-MT	Nippon Pillar Super 300®	1	1	10.9 (277 mm)
INL2-S3001620-MT	Nippon Pillar Super 300®	1	1-1/4	Please contact us

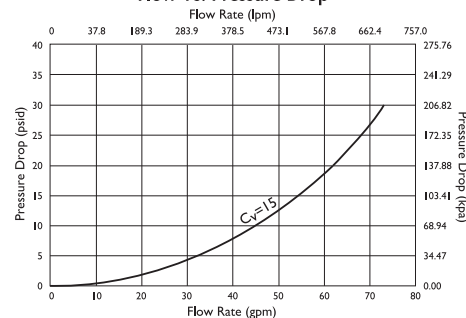
Furon InLine Manual (with 1" FuseBond™ Fitting)



Operating Specifications

Max. Inlet Liquid Pressure	100 psig (6.9 bar)
Max. Outlet Liquid Pressure	100 psig (6.9 bar)
Flow	Cv up to 15
Max. Operating Temperature	Ambient: 122°F (50°C) Media: 212°F (100°C)
Body	PFA
Diaphragm	PTFE
Actuator Housing	Polypropylene
Spare/PM Kit	1112550

Flow Vs. Pressure Drop



Saint-Gobain Performance Plastics
 7301 Orangewood Avenue
 Garden Grove, CA 92841
 1-800-833-5661
 Tel: (714) 630-5818
 Fax: (714) 688-2614

www.furon.com

NOTE: The data and details given in this document are correct and up to date. This document is intended to provide information about the product and possible applications. This document is not the product specification and does not provide specific features, nor does it guarantee product performance in specific applications. Saint-Gobain cannot anticipate or control the conditions of the field and for this reason strongly recommends that practical tests are conducted to ensure that the product meets the requirements of a specific application.

Furon®, FlareGrip® and FuseBond™ are registered trademarks of Saint-Gobain Performance Plastics. Nippon Pillar Super 300® is a registered trademark of Nippon Pillar Packing Co.

IMPORTANT: It is the user's responsibility to ensure the suitability and safety of Saint-Gobain Performance Plastics products for all intended uses and that the components to be used comply with all applicable regulatory requirements. Saint-Gobain Performance Plastics assumes no responsibility for any product failures that occur due to misuse arising out of the design, fabrication or application of the products into which they are incorporated.

WARRANTY: If Product is Purchased by Customer for use: Saint-Gobain warrants that the Product Specifications is for a period of 18 months, provided Customer can establish that the Product did not conform to Specification at time of delivery and the non-conformance of the Product to Specification has not been caused as a result of any action or inaction by the Customer or Customer's storage conditions. If Product is Purchased by Distributor or Reseller: Saint-Gobain warrants that the Product Specifications for a period of 18 months, provided Distributor can establish that the Product did not conform to Specification at time of delivery and the non-conformance of the Product to Specification has not been caused as a result of any action or inaction by the Distributor/Reseller or its or because of storage conditions under which the Product is stored at Distributor/Reseller's and/or Customer/End User's storage facility. THIS IS THE EXCLUSIVE WARRANTY AND IS EXPRESSLY IN LIEU OF ANY AND ALL OTHER OBLIGATIONS, GUARANTEES, WARRANTIES AND REPRESENTATIONS. SAINT-GOBAIN PERFORMANCE PLASTICS DISCLAIMS ALL IMPLIED WARRANTIES OF MERCHANTABILITY AND FITNESS FOR A PARTICULAR PURPOSE.