

# Statement of Performance

## Furon<sup>®</sup> A2 Pump Cycling Test

The purpose of this test was to study the cycle lifetime of Furon A2 Pumps. The ultimate goal was to understand the maximum number of strokes that the pump can achieve.

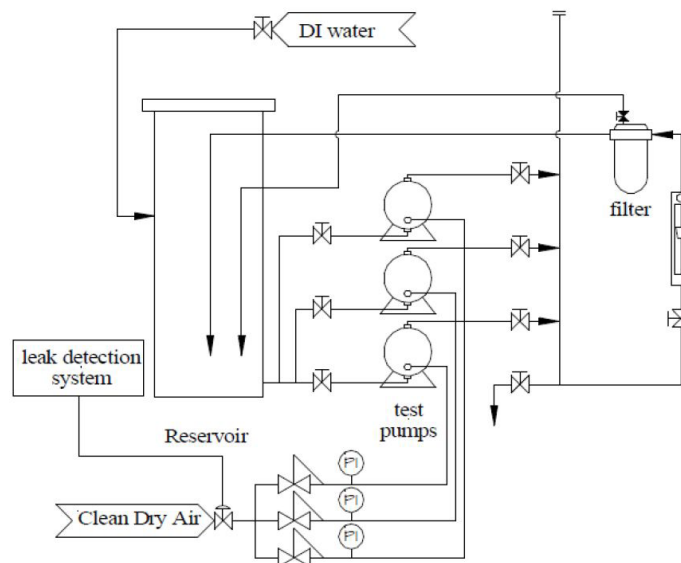
### Test Method

The test system is shown schematically in Figure 1. The Clean Dry Air (CDA) was fixed at 5 bars and no back pressure was applied to the pump beside the liquid circuit resistance. The main components of the test unit included:

- One hundred liter holding tank
- Filter
- The test pumps
- A flow meter to monitor pump output

The basic test procedure was to operate the pumps at a constant inlet air pressure and cycle rate and monitor them for failure. Air supply pressure and cycle rate were monitored regularly.

Figure 1 - Pump Test Schematic



### Results

At the end of December 2012, the Furon A2 Pumps passed the 130 million cycle's level and are still running. No obvious loss in performance in any pump was noted over the course of this reliability test by monitoring air supply pressure, cycle rate and flow rate.

The data provided here were obtained under defined test conditions. The tests were designed to mimic use or worst case conditions. However, Saint-Gobain Performance Plastics makes no specific claims about the performance of the components in other chemicals or systems.