



Furon® 2" HGVM Valve

Manually Actuated, 2-Way Valve (2" Orifice)

Description

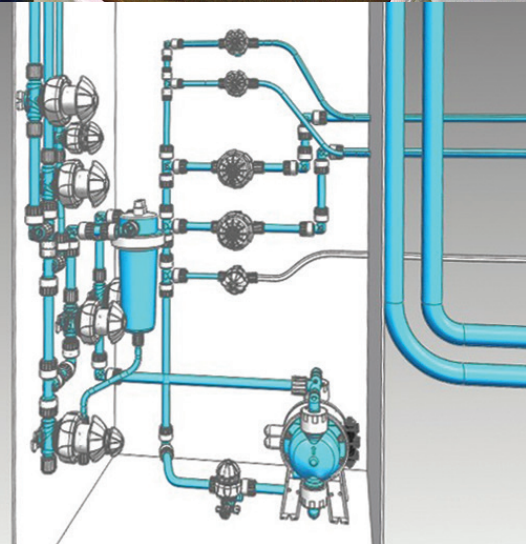
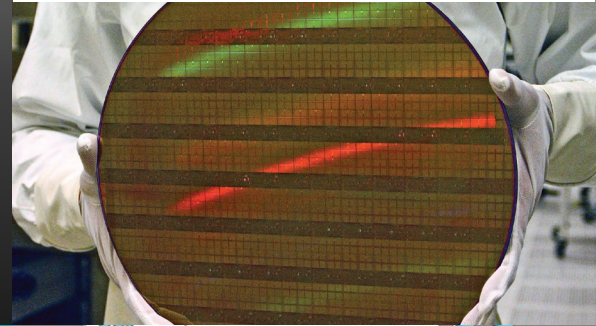
Manually Actuated 2-Way diaphragm valve for bulk chemical delivery.

Furon HGVM Valves offer a reliable means of handling large volumes of aggressive or ultrapure chemistries. Engineered from virgin PTFE, injection molded PFA and other engineered thermoplastics, Furon 2" HGVM valves offer the highest Cv flow factors of any fluoropolymer valve of its size. Our patented PTFE rolling diaphragm is ideal for use in high backpressure conditions which are commonly found in Bulk Chemical Delivery Systems. In-line fluid ports and a fully swept internal flow path support maximum flow efficiency. The manually-actuated version features a large, ergonomically designed adjustment knob for ease of operation while wearing cleanroom gloves. Furon 2" HGVM Valves also feature our time-proven O-ring Free Union end connections, simplifying installation and eliminating the potential for elastomeric contamination. As extra protection against chemical leakage, our 2" HGVM Valves incorporate a dual O-Ring Free Union which provides a secondary sealing surface and locking design feature.

Applications

Furon 2" HGVM Valves are ideal for use in the semiconductor industry, or other applications requiring high purity and/or superior chemical resistance.

- Bulk Chemical Delivery Systems in the Semiconductor Industry
- Suitable for use in abrasive slurry
- Transfer of large volumes of aggressive, abrasive, and/or ultra-high purity chemistries



Features and Benefits

- 52 Cv flow factor
- All Virgin PTFE and PFA wetted flow path
- Fully swept internal flow path
- Patented rolling diaphragm
- Visual position indication facilitates end-user safety
- In-line ports support maximum flow efficiency and ease of installation
- O-ring Free Unions eliminate dead space and elastomeric contamination
- High back pressure capability ensures safety and high performance
- Dual O-ring Free union and locking design feature for improved protection

ASK AN ENGINEER

Furon 2" HGVM Valve - Manually Actuated

| Part Number | Actuation | End Connection | Orifice (in.) | Port Size (in.) |
|----------------|------------|----------------|---------------|-----------------|
| HGVM2-73232-MT | Multi-Turn | Fuse Bond | 2 | 2 |
| HGVM2-73224-MT | Multi-Turn | Fuse Bond | 2 | 1-1/2 |

Ordering & Technical Specifications

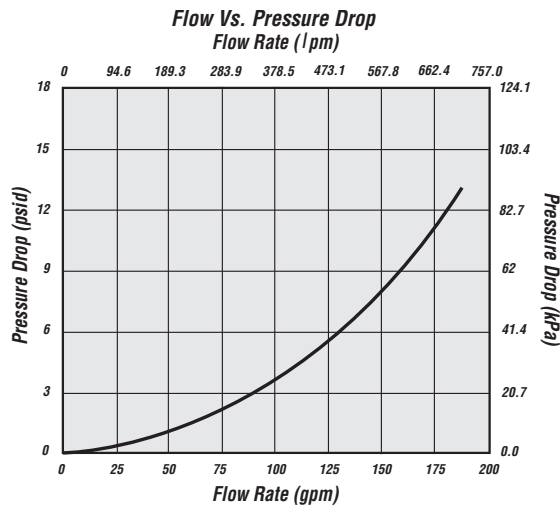
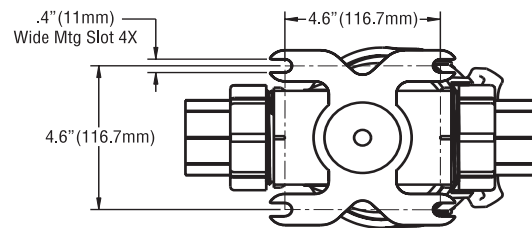
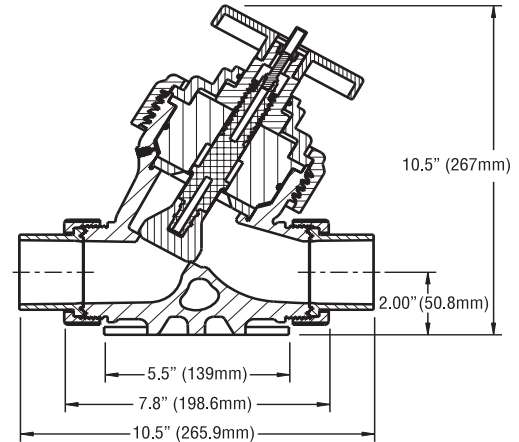
| | |
|---------------------------|-------------------|
| Operating Pressure | 80 PSIG (5.5 bar) |
| Back Pressure | 80 PSIG (5.5 bar) |
| Flow | C _v 52 |
| Operating Temperature | 203°F (95°C) |
| Body | PFA |
| Diaphragm | Modified PTFE |
| Actuator Housing and Knob | Polypropylene |

Options

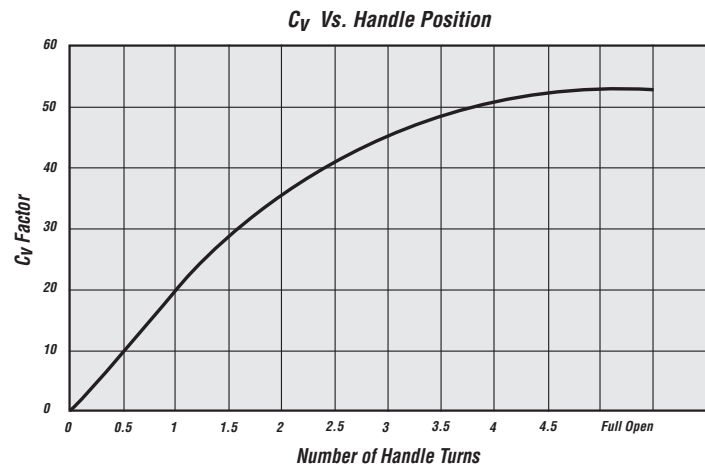
Other end connection types available:

- Nippon Pillar Super 300
- Others not listed

[Please consult factory](#) for further details >>



Test Media: Deionized Water @ Room Temperature



Test Media: Deionized Water @ Room Temperature
Port Size: 2"



Saint-Gobain Performance Plastics
7301 Orangewood Avenue
Garden Grove, CA 92841

1-800-833-5661
Tel: (714) 630-5818
Fax: (714) 688-2614

www.processsystems.saint-gobain.com

NOTE: The data and details given in this document are correct and up to date. This document is intended to provide information about the product and possible applications. This document is not the product specification and does not provide specific features, nor does it guarantee product performance in specific applications. Saint-Gobain cannot anticipate or control the conditions of the field and for this reason strongly recommends that practical tests are conducted to ensure that the product meets the requirements of a specific application.

Furon®, FlareGrip® and FuseBond™ are registered trademarks of Saint-Gobain Performance Plastics. Nippon Pillar Super 300® is a registered trademark of Nippon Pillar Packing Co..

IMPORTANT: It is the user's responsibility to ensure the suitability and safety of Saint-Gobain Performance Plastics products for all intended uses and that the components to be used comply with all applicable regulatory requirements. Saint-Gobain Performance Plastics assumes no responsibility for any product failures that occur due to misuse arising out of the design, fabrication or application of the products into which they are incorporated.

WARRANTY: For a period of 12 months from the date of first sale, Saint-Gobain Performance Plastics warrants this product to be free of defects in materials and workmanship. The only obligation under any applicable product warranty will be to replace any portion proving defective, or at our option, to refund the purchase price thereof. THIS IS THE EXCLUSIVE WARRANTY AND IS EXPRESSLY IN LIEU OF ANY AND ALL OTHER OBLIGATIONS, GUARANTEES, WARRANTIES AND REPRESENTATIONS. SAINT-GOBAIN PERFORMANCE PLASTICS DISCLAIMS ALL IMPLIED WARRANTIES OF MERCHANTABILITY AND FITNESS FOR A PARTICULAR PURPOSE.