

Furon[®] Grab Seal[™] PFA

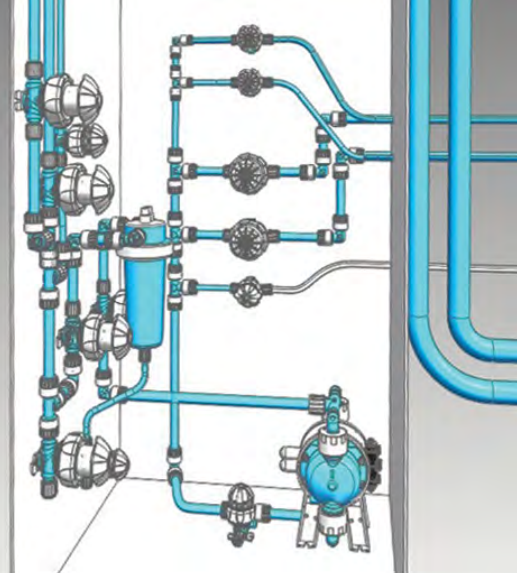
Easy to Use Sealing Solution for Fluoropolymer Tubing

Description

Furon[®] Grab Seal[™] offers a complete line of fittings to match the general configuration you will encounter when doing basic plumbing for liquid or gas installation. Its simple construction, combined with premium raw materials, ensure reliable and safe connection solutions. Installation doesn't require any specific tubing beside a tube cutter for clean tube cuts, which are critical for the sealing quality of this fitting.

Applications

The Furon[®] Grab Seal[™] fitting offers a simple solution to help with the transfer of liquid or gas for demanding applications in various industries where simplicity, high-purity and chemical resistance is a must.



Features and Benefits

- Fluoro-polymer construction
- Ideally used with:
 - Versilon[™] HP PFA 400
 - Versilon[™] PFA
 - Versilon[™] FEP
- Large variety of configuration:
 - Tee
 - Cap
 - Reducer
 - Elbow
- Transition fitting to other connection style:
 - NPT connection
 - FuseBond[™] connection
- No specific tool required
- Simple & Easy installation

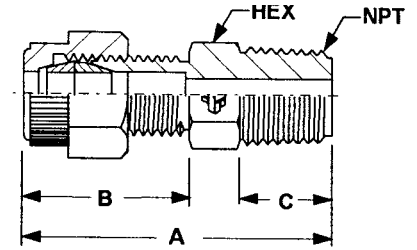
Furon® Grab Seal™ PFA Fitting

Union Adapter Male

Grab Seal™ Connector
Male NPT Threads

Furon® Union Adapter Male

Part Number	O.D. Tube Size (mm)	Male NPT Size	Orifice (mm)	A (mm)	B (mm)	C (mm)	HEX Flat (mm)
IMP22UAM	1/8" (3.2)	1/8"	0.09" (2.3)	1.21" (30.7)	0.54" (13.7)	0.40" (10.1)	0.45" (11.4)
IMP24UAM	1/8" (3.2)	1/4"	0.09" (2.3)	1.31" (33.2)	0.54" (13.7)	0.50" (12.7)	0.50" (12.7)
IMP42UAM	1/4" (6.4)	1/8"	0.19" (4.8)	1.23" (31.2)	0.54" (13.7)	0.40" (10.1)	0.44" (11.2)
IMP44UAM	1/4" (6.4)	1/4"	0.19" (4.8)	1.33" (33.8)	0.54" (13.7)	0.54" (13.7)	0.50" (12.7)
IMP46UAM	1/4" (6.4)	3/8"	0.19" (4.8)	1.43" (36.3)	0.54" (13.7)	0.54" (13.7)	0.68" (17.3)
IMP48UAM	1/4" (6.4)	1/2"	0.19" (4.8)	1.54" (39.1)	0.54" (13.7)	0.63" (16.0)	0.87" (22.1)
IMP62UAM	3/8" (9.5)	1/8"	0.19" (4.8)	1.36" (34.5)	0.59" (15.0)	0.40" (10.1)	0.68" (17.3)
IMP64UAM	3/8" (9.5)	1/4"	0.31" (7.9)	1.46" (37.1)	0.59" (15.0)	0.50" (12.7)	0.68" (17.3)
IMP66UAM	3/8" (9.5)	3/8"	0.31" (7.9)	1.45" (36.8)	0.59" (15.0)	0.50" (12.7)	0.68" (17.3)
IMP68UAM	3/8" (9.5)	1/2"	0.31" (7.9)	1.59" (40.4)	0.59" (15.0)	0.63" (16.0)	0.87" (22.1)
IMP84UAM	1/2" (12.7)	1/4"	0.29" (7.4)	1.54" (39.1)	0.67" (17.0)	0.50" (12.7)	0.87" (22.1)
IMP86UAM	1/2" (12.7)	3/8"	0.42" (10.7)	1.54" (39.1)	0.67" (17.0)	0.50" (12.7)	0.87" (22.1)
IMP88UAM	1/2" (12.7)	1/2"	0.46" (11.7)	1.68" (42.7)	0.67" (17.0)	0.63" (16.0)	0.87" (22.1)
IMP812UAM	1/2" (12.7)	3/4"	0.46" (11.7)	1.97" (50.0)	0.67" (17.0)	0.80" (20.3)	1.12" (28.4)
IMP128UAM	3/4" (19.1)	1/2"	0.46" (11.7)	1.89" (48.0)	0.75" (19.0)	0.63" (16.0)	1.38" (35.0)
IMP1212UAM	3/4" (19.1)	3/4"	0.68" (17.3)	2.02" (51.3)	0.75" (19.0)	0.80" (20.3)	1.38" (35.0)
IMP1216UAM	3/4" (19.1)	1"	0.68" (17.3)	2.19" (55.6)	0.75" (19.0)	0.94" (23.9)	1.38" (35.0)
IMP1612UAM	1" (25.4)	3/4"	0.75" (19.1)	2.15" (54.6)	0.84" (21.3)	0.80" (20.3)	1.38" (35.0)
IMP1616UAM	1" (25.4)	1"	0.94" (23.9)	2.28" (57.9)	0.84" (21.3)	0.94" (23.9)	1.38" (35.0)

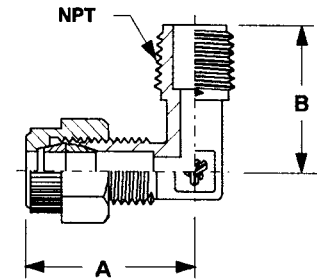


Elbow Adapter Male

Grab Seal™ Connector
Male NPT Threads

Furon® Elbow Adapter Male

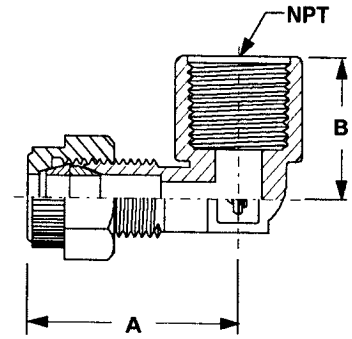
Part Number	O.D. Tube Size (mm)	Male NPT Size	Orifice (mm)	A (mm)	B (mm)
IMP22EAM	1/8" (3.2)	1/8"	0.09" (2.3)	1.11" (2.8)	0.72" (18.3)
IMP24EAM	1/8" (3.2)	1/4"	0.09" (2.3)	0.80" (20.3)	0.78" (19.8)
IMP42EAM	1/4" (6.4)	1/8"	0.19" (4.8)	0.81" (20.6)	0.71" (18.0)
IMP44EAM	1/4" (6.4)	1/4"	0.19" (4.8)	0.81" (20.6)	0.97" (24.6)
IMP46EAM	1/4" (6.4)	3/8"	0.19" (4.8)	0.92" (23.4)	0.85" (21.6)
IMP62EAM	3/8" (9.5)	1/8"	0.19" (4.8)	0.94" (23.9)	0.85" (21.6)
IMP64EAM	3/8" (9.5)	1/4"	0.31" (7.9)	0.94" (23.9)	0.95" (24.1)
IMP66EAM	3/8" (9.5)	3/8"	0.31" (7.9)	0.94" (23.9)	1.05" (26.7)
IMP68EAM	3/8" (9.5)	1/2"	0.31" (7.9)	1.03" (26.2)	1.13" (28.7)
IMP84EAM	1/2" (12.7)	1/4"	0.31" (7.9)	1.01" (25.7)	1.13" (28.7)
IMP86EAM	1/2" (12.7)	3/8"	0.42" (10.7)	1.01" (25.7)	1.13" (28.7)
IMP88EAM	1/2" (12.7)	1/2"	0.46" (11.7)	1.09" (27.7)	1.13" (28.7)
IMP812EAM	1/2" (12.7)	3/4"	0.46" (11.7)	1.30" (33.0)	1.50" (38.1)
IMP128EAM	3/4" (19.1)	1/2"	0.50" (12.7)	1.32" (33.5)	1.38" (35.1)
IMP1212EAM	3/4" (19.1)	3/4"	0.68" (17.3)	1.33" (33.8)	1.50" (38.1)
IMP1216EAM	3/4" (19.1)	1"	0.68" (17.3)	1.51" (38.4)	1.75" (44.5)
IMP1612EAM	1" (25.4)	3/4"	0.75" (19.1)	1.71" (43.4)	1.75" (44.5)
IMP1616EAM	1" (25.4)	1"	0.94" (23.9)	1.71" (43.4)	1.88" (47.8)



Furon® Grab Seal™ PFA Fitting

Union Adapter Female

Grab Seal™ Connector
Female NPT Threads

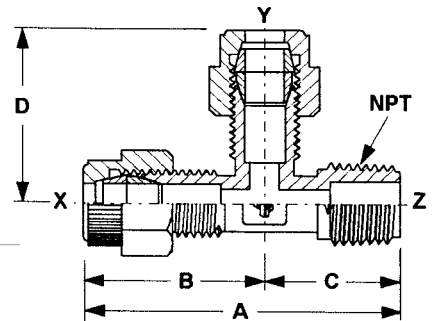


Furon® Union Adapter Female

Part Number	O.D. Tube Size (mm)	Female NPT Size	Orifice (mm)	A (mm)	B (mm)
IMP44EAF	1/4" (6.4)	1/4"	0.09" (2.3)	1.03" (26.2)	0.80" (20.3)
IMP64EAF	3/8" (9.5)	1/4"	0.31" (7.9)	1.07" (27.2)	1.00" (25.4)
IMP66EAF	3/8" (9.5)	3/8"	0.31" (7.9)	1.12" (28.5)	1.00" (25.4)
IMP68EAF	3/8" (9.5)	1/2"	0.31" (7.9)	1.31" (33.3)	1.12" (28.5)
IMP86EAF	1/2" (12.7)	3/8"	0.44" (11.2)	1.18" (30.0)	1.12" (28.5)
IMP88EAF	1/2" (12.7)	1/2"	0.40" (10.2)	1.31" (33.3)	1.25" (31.8)
IMP1212EAF	3/4" (19.1)	3/4"	0.68" (17.3)	1.41" (35.9)	1.62" (41.2)
IMP1616EAF	1" (25.4)	1"	0.94" (23.9)	1.62" (41.2)	1.88" (47.8)

Male Run Tee

Grab Seal™ Connector
Male NPT Threads

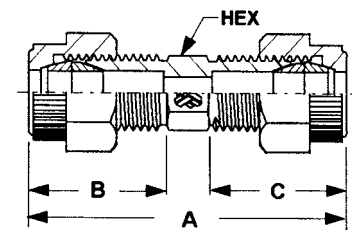


Furon® Male Run Tee

Part Number	O.D. Tube Size X (mm)	O.D. Tube Size Y (mm)	Male NPT Size Z	Orifice (mm)	A (mm)	B (mm)	C (mm)	D (mm)
IMP2MRT	1/8" (3.2)	1/8" (3.2)	1/8"	0.09" (2.3)	1.51" (38.4)	0.74" (17.5)	0.78" (19.8)	0.74" (17.5)
IMP4MRT	1/4" (6.4)	1/4" (6.4)	1/4"	0.19" (4.8)	1.66" (42.2)	0.81" (20.6)	0.85" (21.6)	0.81" (20.6)
IMP6MRT	3/8" (9.5)	3/8" (9.5)	3/8"	0.31" (7.9)	1.88" (47.8)	0.94" (23.9)	0.94" (23.9)	0.94" (23.9)
IMP8MRT	1/2" (12.7)	1/2" (12.7)	1/2"	0.44" (11.2)	2.35" (59.7)	1.12" (28.5)	1.23" (31.2)	1.12" (28.5)
IMP12MRT	3/4" (19.1)	3/4" (19.1)	3/4"	0.69" (17.5)	2.99" (76.0)	1.49" (37.9)	1.50" (38.1)	1.49" (37.9)
IMP16MRT	1" (25.4)	1" (25.4)	1"	0.94" (23.9)	3.59" (91.2)	1.71" (43.4)	1.88" (47.8)	1.71" (43.4)

Straight Union

Grab Seal™ Connector



Furon® Union Adapter Male

Part Number	O.D. Tube Size (mm)	Orifice (mm)	A (mm)	B (mm)	C (mm)	HEX Flat (mm)
IMP2SU	1/8" (3.2)	0.09" (2.3)	1.49" (37.1)	0.54" (13.7)	0.54" (13.7)	0.38" (9.7)
IMP4SU	1/4" (6.4)	0.19" (4.8)	1.39" (35.3)	0.56" (14.2)	0.56" (14.2)	0.38" (9.7)
IMP6SU	3/8" (9.5)	0.31" (7.9)	1.55" (39.4)	0.59" (15.0)	0.59" (15.0)	0.68" (17.3)
IMP8SU	1/2" (12.7)	0.44" (11.2)	1.70" (43.2)	0.66" (16.8)	0.66" (16.8)	0.87" (22.1)
IMP12SU	3/4" (19.1)	0.69" (17.5)	1.99" (50.6)	0.75" (19.1)	0.75" (19.1)	1.38" (35.1)
IMP16SU	1" (25.4)	0.94" (23.9)	2.18" (55.4)	0.84" (21.3)	0.84" (21.3)	1.38" (35.1)

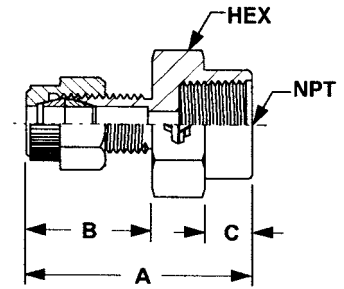
Furon® Grab Seal™ PFA Fitting

Union Adapter Female

Grab Seal™ Connector
Female NPT Threads

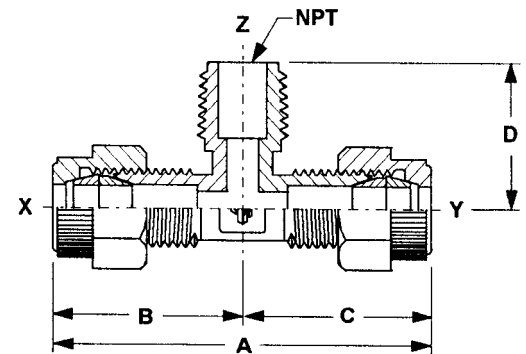
Furon® Union Adapter Female

Part Number	O.D. Tube Size (mm)	Female NPT Size	Orifice (mm)	A (mm)	B (mm)	C (mm)	HEX Flat (mm)
IMP42UAF	1/4" (6.4)	1/8"	0.19" (4.8)	1.14" (29.0)	0.56" (14.2)	0.31" (7.9)	0.56" (14.2)
IMP44UAF	1/4" (6.4)	1/4"	0.19" (4.8)	1.28" (41.4)	0.56" (14.2)	0.34" (8.6)	0.94" (23.9)
IMP46UAF	1/4" (6.4)	3/8"	0.19" (4.8)	1.24" (31.5)	0.56" (14.2)	0.31" (7.9)	1.0" (25.4)
IMP48UAF	1/4" (6.4)	1/2"	0.19" (4.8)	1.33" (33.8)	0.56" (14.2)	0.40" (10.2)	1.13" (28.7)
IMP62UAF	3/8" (9.5)	1/8"	0.25" (6.4)	1.27" (32.3)	0.59" (15.0)	0.30" (7.6)	0.69" (17.5)
IMP64UAF	3/8" (9.5)	1/4"	0.31" (7.9)	1.28" (32.5)	0.59" (15.0)	0.32" (8.1)	0.94" (23.9)
IMP66UAF	3/8" (9.5)	3/8"	0.31" (7.9)	1.28" (32.5)	0.59" (15.0)	0.31" (7.9)	1.0" (25.4)
IMP68UAF	3/8" (9.5)	1/2"	0.31" (7.9)	1.36" (34.5)	0.59" (15.0)	0.40" (10.2)	1.13" (28.7)
IMP84UAF	1/2" (12.7)	1/4"	0.31" (7.9)	1.34" (34.0)	0.67" (17.0)	0.30" (7.6)	0.88" (22.4)
IMP86UAF	1/2" (12.7)	3/8"	0.45" (11.4)	1.36" (34.5)	0.67" (17.0)	0.32" (8.1)	1.13" (28.7)
IMP88UAF	1/2" (12.7)	1/2"	0.46" (11.7)	1.46" (37.1)	0.67" (17.0)	0.42" (10.7)	1.13" (28.7)
IMP812UAF	1/2" (12.7)	3/4"	0.46" (11.7)	1.56" (39.6)	0.67" (17.0)	0.38" (9.6)	1.38" (35.1)
IMP128UAF	3/4" (19.1)	1/2"	0.50" (12.7)	1.63" (41.4)	0.73" (18.5)	0.40" (10.2)	1.38" (35.1)
IMP1212UAF	3/4" (19.1)	3/4"	0.69" (17.5)	1.68" (42.8)	0.75" (19.1)	0.40" (10.2)	1.63" (41.4)
IMP1216UAF	3/4" (19.1)	1"	0.69" (17.5)	1.88" (47.8)	0.75" (19.1)	0.63" (16.0)	1.75" (44.5)
IMP1616UAF	1" (25.4)	1"	0.94" (23.9)	1.96" (49.8)	0.84" (21.3)	0.63" (16.0)	1.75" (44.5)



Male Branch Tee

Grab Seal™ Connector
Male NPT Threads



Furon® Male Run Tee

Part Number	O.D. Tube Size X (mm)	O.D. Tube Size Y (mm)	Male NPT Size Z	Orifice (mm)	A (mm)	B (mm)	C (mm)	D (mm)
IMP2MBT	1/8" (3.2)	1/8" (3.2)	1/8"	0.09" (2.3)	1.48" (37.6)	0.74" (17.5)	0.74" (17.5)	0.78" (19.8)
IMP4MBT	1/4" (6.4)	1/4" (6.4)	1/4"	0.19" (4.8)	1.62" (41.2)	0.81" (20.6)	0.81" (20.6)	0.82" (20.8)
IMP6MBT	3/8" (9.5)	3/8" (9.5)	3/8"	0.31" (7.9)	1.88" (47.8)	0.94" (23.9)	0.94" (23.9)	0.94" (23.9)
IMP8MBT	1/2" (12.7)	1/2" (12.7)	1/2"	0.44" (11.2)	2.24" (57.0)	1.12" (28.5)	1.12" (28.5)	1.23" (31.2)
IMP12MBT	3/4" (19.1)	3/4" (19.1)	3/4"	0.69" (17.5)	2.98" (75.7)	1.49" (37.9)	1.49" (37.9)	1.50" (38.1)
IMP16MBT	1" (25.4)	1" (25.4)	1"	0.94" (23.9)	3.42" (86.9)	1.71" (43.4)	1.71" (43.4)	1.88" (47.8)

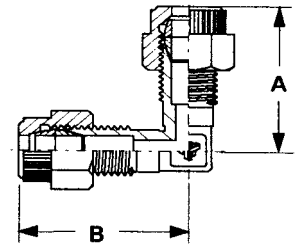
Furon® Grab Seal™ PFA Fitting

Union Elbow

Grab Seal™ Connector

Furon® Union Elbow

Part Number	O.D. Tube Size (mm)	Orifice (mm)	A (mm)	B (mm)
IMP2UE	1/8" (3.2)	0.09" (2.3)	0.75" (19.1)	0.75" (19.1)
IMP4UE	1/4" (6.4)	0.19" (4.8)	0.95" (24.1)	0.95" (24.1)
IMP6UE	3/8" (9.5)	0.31" (7.9)	1.06" (26.9)	1.06" (26.9)
IMP8UE	1/2" (12.7)	0.44" (11.2)	1.13" (28.7)	1.13" (28.7)
IMP12UE	3/4" (19.1)	0.68" (17.3)	1.51" (38.4)	1.51" (38.4)
IMP16UE	1" (25.4)	0.94" (23.9)	1.71" (43.4)	1.71" (43.4)

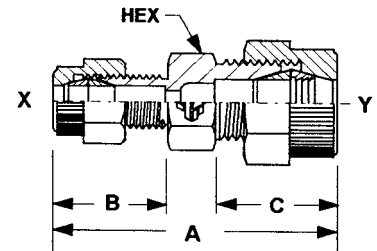


Straight Union Reducer

Grab Seal™ Connector

Furon® Straight Union Reducer

Part Number	O.D. Tube Size X (mm)	O.D. Tube Size Y (mm)	Orifice (mm)	A (mm)	B (mm)	C (mm)	HEX Flat (mm)
IMP24UR	1/8" (3.2)	1/4" (6.4)	0.09" (2.3)	1.47" (37.3)	0.54" (13.7)	0.56" (14.2)	0.68" (17.3)
IMP46UR	1/4" (6.4)	3/8" (9.5)	0.19" (4.8)	1.52" (38.6)	0.56" (14.2)	0.59" (15.0)	0.68" (17.3)
IMP48UR	1/4" (6.4)	1/2" (12.7)	0.19" (4.8)	1.60" (40.6)	0.56" (14.2)	0.67" (17.0)	0.87" (22.1)
IMP68UR	3/8" (9.5)	1/2" (12.7)	0.31" (7.9)	1.63" (41.4)	0.61" (15.5)	0.65" (16.5)	0.87" (22.1)
IMP812UR	1/2" (12.7)	3/4" (19.1)	0.70" (17.8)	1.92" (48.8)	0.73" (18.5)	0.69" (17.5)	1.38" (35.1)
IMP1216UR	3/4" (19.1)	1" (25.4)	0.69" (17.5)	2.09" (53.1)	0.73" (18.5)	0.84" (21.3)	1.38" (35.1)



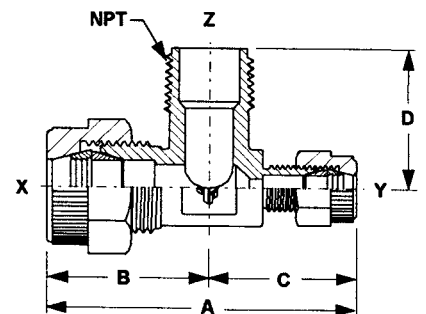
Male Branch Tee Reducer

Grab Seal™ Connector

Male NPT Threads

Furon® Male Branch Tee Reducer

Part Number	O.D. Tube Size X (mm)	O.D. Tube Size Y (mm)	Male NPT Size Z	Orifice (mm)	A (mm)	B (mm)	C (mm)	D (mm)
IMP424MBTR	1/4" (6.4)	1/8" (3.2)	1/4"	0.09" (2.3)	1.60" (40.6)	0.81" (20.6)	0.79" (20.1)	0.87" (22.1)
IMP646MBTR	3/8" (9.5)	1/4" (6.4)	3/8"	0.19" (4.8)	1.92" (48.8)	0.96" (24.5)	0.96" (24.5)	1.20" (30.5)
IMP848MBTR	1/2" (12.7)	1/4" (6.4)	1/2"	0.19" (4.8)	2.17" (55.1)	1.11" (28.2)	1.06" (26.9)	1.31" (34.6)
IMP866MBTR	1/2" (12.7)	3/8" (9.5)	3/8"	0.31" (7.9)	2.23" (56.6)	1.11" (28.2)	1.12" (28.5)	1.31" (34.6)
IMP12412MBTR	3/4" (19.1)	1/4" (6.4)	3/4"	0.19" (4.8)	2.81" (71.4)	1.49" (37.9)	1.32" (33.5)	1.62" (41.2)



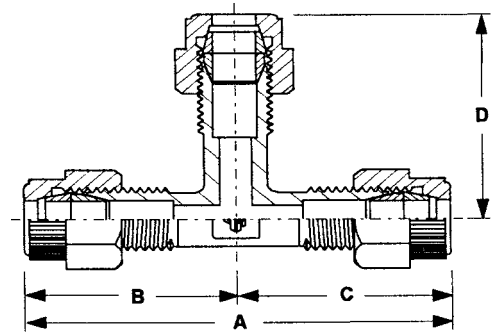
Furon® Grab Seal™ PFA Fitting

Union Tee

Grab Seal™ Connector

Furon® Union Tee

Part Number	O.D. Tube Size (mm)	Orifice (mm)	A (mm)	B (mm)	C (mm)	D (mm)
IMP2UT	1/8" (3.2)	0.09" (2.3)	1.48" (37.6)	0.74" (18.8)	0.74" (18.8)	0.74" (18.8)
IMP4UT	1/4" (6.4)	0.19" (4.8)	1.80" (45.7)	0.90" (22.9)	0.90" (22.9)	0.90" (22.9)
IMP6UT	3/8" (9.5)	0.31" (7.9)	1.88" (47.8)	0.94" (23.9)	0.94" (23.9)	0.94" (23.9)
IMP8UT	1/2" (12.7)	0.44" (11.2)	2.62" (66.6)	1.31" (33.7)	1.31" (33.7)	1.31" (33.7)
IMP12UT	3/4" (19.1)	0.69" (17.5)	2.98" (75.7)	1.49" (37.9)	1.49" (37.9)	1.49" (37.9)
IMP16UT	1" (25.4)	0.94" (23.9)	3.42" (86.9)	1.71" (43.3)	1.71" (43.3)	1.71" (43.3)

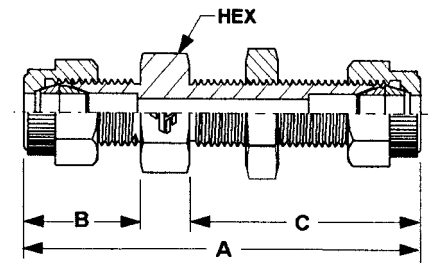


Straight Union Panel

Grab Seal™ Connector

Furon® Straight Union Panel

Part Number	O.D. Tube Size (mm)	Orifice (mm)	A (mm)	B (mm)	C (mm)	HEX Flat (mm)
IMP2SUP	1/8" (3.2)	0.09" (2.3)	2.42" (61.5)	0.54" (13.7)	1.50" (38.1)	0.56" (14.2)
IMP4SUP	1/4" (6.4)	0.19" (4.8)	2.44" (62.0)	0.56" (14.2)	1.51" (38.4)	0.68" (17.3)
IMP6SUP	3/8" (9.5)	0.31" (7.9)	2.54" (64.5)	0.59" (15.0)	1.58" (40.1)	0.94" (23.9)
IMP8SUP	1/2" (12.7)	0.44" (11.2)	2.62" (66.6)	0.66" (16.8)	1.59" (40.4)	1.12" (28.4)
IMP12SUP	3/4" (19.1)	0.69" (17.5)	3.01" (76.5)	0.75" (19.1)	1.76" (44.7)	1.38" (35.1)
IMP16SUP	1" (25.4)	0.94" (23.9)	3.18" (80.8)	0.84" (21.3)	1.84" (46.7)	1.50" (38.1)

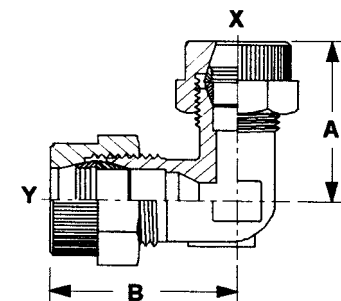


Union Elbow Reducer

Grab Seal™ Connector

Furon® Union Elbow Reducer

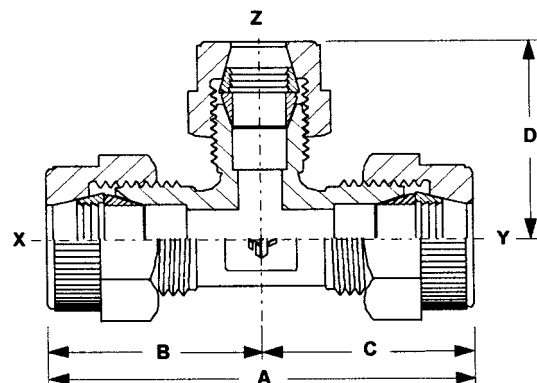
Part Number	O.D. Tube Size X (mm)	O.D. Tube Size Y (mm)	Orifice (mm)	A (mm)	B (mm)
IMP24UER	1/8" (3.2)	1/4" (6.4)	0.09" (2.3)	0.81" (20.6)	0.84" (21.3)
IMP46UER	1/4" (6.4)	3/8" (9.5)	0.19" (4.8)	0.91" (23.1)	1.00" (25.4)
IMP68UER	3/8" (9.5)	1/2" (12.7)	0.31" (7.9)	1.11" (28.2)	1.17" (29.7)
IMP812UER	1/2" (12.7)	3/4" (19.1)	0.44" (11.2)	1.47" (37.3)	1.49" (37.9)
IMP1216UER	3/4" (19.1)	1" (25.4)	0.69" (17.5)	1.69" (42.9)	1.71" (43.4)



Furon® Grab Seal™ PFA Fitting

Union Tee Reducer

Grab Seal™ Connector

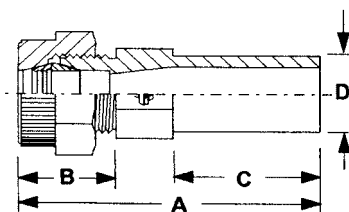


Furon® Union Tee Reducer

Part Number	O.D. Tube Size X (mm)	O.D. Tube Size Y (mm)	O.D. Tube Size Z	Orifice (mm)	A (mm)	B (mm)	C (mm)	D (mm)
IMP664UTR	3/8" (9.5)	3/8" (9.5)	1/4"	0.19" (4.8)	1.84" (46.7)	0.92" (23.4)	0.92" (23.4)	0.92" (23.4)
IMP884UTR	1/2" (12.7)	1/2" (12.7)	1/4"	0.19" (4.8)	2.26" (57.4)	1.13" (28.7)	1.13" (28.7)	1.13" (28.7)
IMP886UTR	1/2" (12.7)	1/2" (12.7)	1/2"	0.31" (7.9)	2.26" (57.4)	1.13" (28.7)	1.13" (28.7)	1.11" (28.2)
IMPI2128UTR	3/4" (19.1)	3/4" (19.1)	1/2"	0.44" (11.2)	2.94" (74.7)	1.47" (37.3)	1.47" (37.3)	1.45" (36.8)

Straight Union Adapter

Grab Seal™ Connector
Fusible Pipe End



Furon® Straight Union Adapter

Part Number	O.D. Tube Size X (mm)	O.D. Tube Size Y (mm)	Orifice (mm)	A (mm)	B (mm)	C (mm)	HEX Flat (mm)
IMP88/40SUA	1/2" (12.7)	1/2" (12.7)	0.44" (11.2)	3.00" (76.2)	1.05" (26.7)	1.48" (37.6)	0.84" (21.3)
IMP812/40SUA	1/2" (12.7)	3/4" (19.1)	0.44" (11.2)	3.00" (76.2)	1.05" (26.7)	1.48" (37.6)	1.05" (38.1)
IMPI28/40SUA	3/4" (19.1)	1/2" (12.7)	0.50" (12.7)	3.13" (79.5)	1.20" (30.5)	1.48" (37.6)	0.84" (21.3)
IMPI212/40SUA	3/4" (19.1)	3/4" (19.1)	0.69" (17.5)	3.13" (79.5)	1.20" (30.5)	1.48" (37.6)	1.05" (38.1)
IMPI612/40SUA	1" (25.4)	3/4" (19.1)	0.69" (17.5)	3.24" (82.3)	1.33" (33.8)	1.48" (37.6)	1.05" (38.1)
IMPI616/40SUA	1" (25.4)	1" (25.4)	0.94" (23.9)	3.24" (82.3)	1.33" (33.8)	1.48" (37.6)	1.32" (33.5)

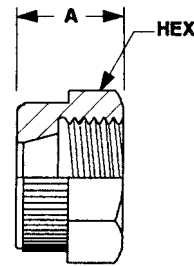
Furon® Grab Seal™ PFA Fitting

Nut

Furon® Nut

Part Number	O.D. Tube Size (mm)	A (mm)	HEX Flat (mm)
IMP2N	1/8" (3.2)	0.52" (13.2)	0.52" (13.2)
IMP4N	1/4" (6.4)	0.56" (14.2)	0.62" (15.7)
IMP6N	3/8" (9.5)	0.72" (18.3)	0.87" (22.1)
IMP8N	1/2" (12.7)	0.78" (19.8)	1.18" (30.0)
IMP12N	3/4" (19.1)	0.92" (23.4)	1.37" (34.8)
IMP16N	1" (25.4)	0.94" (23.9)	1.62" (41.1)

Material – Molded ETFE



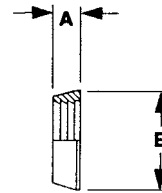
Gripper

Furon® Gripper

Check all Numbers in these columns

Part Number	O.D. Tube Size (mm)	A (mm)	B (mm)
IMP2G*	1/8" (3.2)	0.08" (2.0)	0.22" (5.6)
IMP4G	1/4" (6.4)	0.15" (3.8)	0.38" (9.7)
IMP6G	3/8" (9.5)	0.19" (4.8)	0.56" (14.2)
IMP8G	1/2" (12.7)	0.19" (4.8)	0.69" (17.5)
IMP12G	3/4" (19.1)	0.21" (5.3)	0.97" (24.6)
IMP16G	1" (25.4)	0.21" (5.3)	1.22" (31.0)

Material – Molded PVDF *Machined CTFE

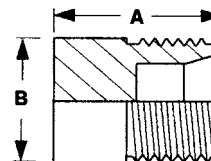


Cap

Furon® Cap

Part Number	O.D. Tube Size (mm)	A (mm)	B (mm)
SLF2C	1/8" (3.2)	0.88" (22.4)	0.31" (7.9)
SLF4C	1/4" (6.4)	0.88" (22.4)	0.44" (11.2)
SLF6C	3/8" (9.5)	0.88" (22.4)	0.69" (17.0)
SLF8C	1/2" (12.7)	0.94" (23.9)	0.88" (22.4)
SLF12C	3/4" (19.1)	1.00" (25.4)	1.13" (28.7)
SLF16C	1" (25.4)	1.07" (27.2)	1.38" (35.0)

Material – PTFE

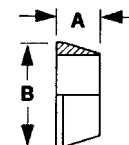


Ferrule

Furon® Ferrule

Part Number	O.D. Tube Size (mm)	A (mm)	B (mm)
IMP2F	1/8" (3.2)	0.20" (5.1)	0.21" (5.3)
IMP4F	1/4" (6.4)	0.20" (5.1)	0.36" (9.1)
IMP6F	3/8" (9.5)	0.26" (6.6)	0.53" (13.4)
IMP8F	1/2" (12.7)	0.28" (7.1)	0.67" (17.0)
IMP12F	3/4" (19.1)	0.34" (8.6)	0.94" (23.9)
IMP16F	1" (25.4)	0.37" (9.4)	1.19" (30.2)

Material – PTFE



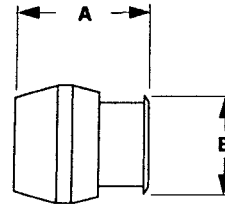
Furon® Grab Seal™ PFA Fitting

Plug

Furon® Plug

Part Number	O.D. Tube Size (mm)	A (mm)	B (mm)
IMP2P	1/8" (3.2)	0.39" (9.9)	0.22" (2.6)
IMP4P	1/4" (6.4)	0.57" (14.5)	0.36" (9.1)
IMP6P	3/8" (9.5)	0.71" (18.0)	0.53" (13.5)
IMP8P	1/2" (12.7)	0.75" (19.1)	0.67" (17.0)
IMP12P	3/4" (19.1)	0.88" (22.4)	0.94" (23.9)
IMP16P	1" (25.4)	0.88" (22.4)	1.18" (30.0)

Material – PTFE

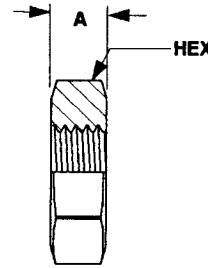


Panel Nut

Furon® Panel Nut

Part Number	O.D. Tube Size (mm)	A (mm)	HEX Flat (mm)
IMP2PN	1/8" (3.2)	0.25" (6.4)	0.75" (19.1)
IMP4PN	1/4" (6.4)	0.25" (6.4)	0.75" (19.1)
IMP6PN	3/8" (9.5)	0.25" (6.4)	1.0" (25.4)
IMP8PN	1/2" (12.7)	0.25" (6.4)	1.25" (31.8)
IMP12PN	3/4" (19.1)	0.25" (6.4)	1.62" (41.1)
IMP16PN	1" (25.4)	0.25" (6.4)	1.62" (41.1)

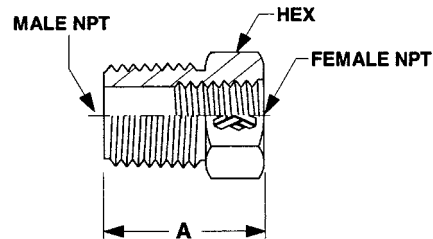
Material – Molded PVC



Bushing

Furon® Bushing

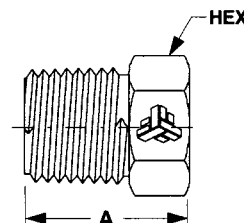
Part Number	Male NPT Size	Female NPT Size	A (mm)	HEX Flat (mm)
MPP42B	1/4"	1/8"	1.94" (23.9)	0.56" (14.2)
MPP64B	3/8"	1/4"	1.00" (25.4)	0.68" (17.3)
MPP84B	1/2"	1/4"	1.00" (25.4)	1.00" (25.4)
MPP86B	1/2"	3/8"	1.00" (25.4)	1.00" (25.4)
MPP128B	3/4"	1/2"	1.13" (28.7)	1.25" (31.8)



Plug

Furon® Plug

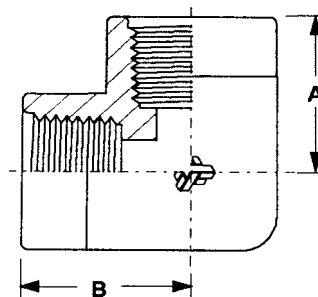
Part Number	Male NPT Size	A (mm)	HEX Flat (mm)
MPP4P	1/4"	1.75" (19.1)	0.50" (12.7)
MPP6P	3/8"	0.88" (22.4)	0.68" (17.3)
MPP8P	1/2"	1.00" (25.4)	0.88" (22.4)



Elbow

Furon® Elbow

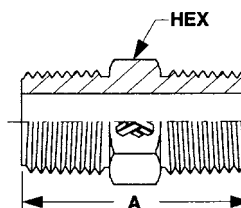
Part Number	Female NPT Size	A (mm)	B (mm)
MFP4E	1/4"	0.81" (20.6)	0.81" (20.6)
MFP8E	1/2"	1.13" (28.7)	1.13" (28.7)



Nipple

Furon® Nipple

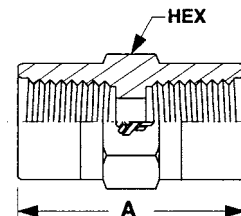
Part Number	Male NPT Size	A (mm)	HEX Flat (mm)
MPP4N	1/4"	1.25" (31.8)	0.50" (12.7)
MPP6N	3/8"	1.38" (35.1)	0.68" (17.3)
MPP8N	1/2"	1.68" (42.7)	0.87" (21.1)
MPP12N	3/4"	1.88" (47.8)	1.25" (31.8)



Coupling

Furon® Coupling

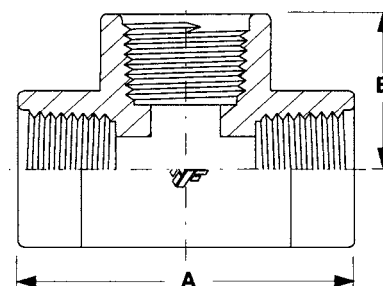
Part Number	Male NPT Size	A (mm)	HEX Flat (mm)
MPP4C	1/4"	1.50" (38.1)	0.81" (20.6)
MPP8C	1/2"	1.50" (38.1)	1.25" (31.8)



Tee

Furon® Tee

Part Number	Male NPT Size	A (mm)	HEX Flat (mm)
MPP4T	1/4"	1.63" (41.4)	0.81" (12.7)
MPP8T	1/2"	2.25" (57.1)	1.13" (28.7)



Saint-Gobain Performance Plastics

7301 Orangewood Avenue
Garden Grove, CA 92841

1-800-833-5661
Tel: (714) 630-5818
Fax: (714) 688-2614

www.processsystems.saint-gobain.com

NOTE: The data and details given in this document are correct and up to date. This document is intended to provide information about the product and possible applications. This document is not the product specification and does not provide specific features, nor does it guarantee product performance in specific applications. Saint-Gobain cannot anticipate or control the conditions of the field and for this reason strongly recommends that practical tests are conducted to ensure that the product meets the requirements of a specific application.

Furon®, FlareGrip® and Nippon Pillar Super 300® are registered trademarks.
FuseBond™ and Grab Seal™ are trademarks.