



FURON[®]
Pure Performance

Furon[®] UPX Valve

Pneumatically Actuated 2-Way Valve (1/4", 1/2" & 3/4" Orifice)

Furon UPX Valves are specifically designed for safe and reliable transfer of highly aggressive chemicals, including concentrated hydrogen fluoride (HF) and hydrogen chloride (HCl). Our proprietary technology protects the valve's working components from degradation due to chemical attacks. The wetted flow path constructed from 100% virgin PFA, assuring compliance with the highest purity standards. Additionally, the UPX Valves are capable of handling a wide variety of abrasive slurries and have a long track record of success in slurry applications.

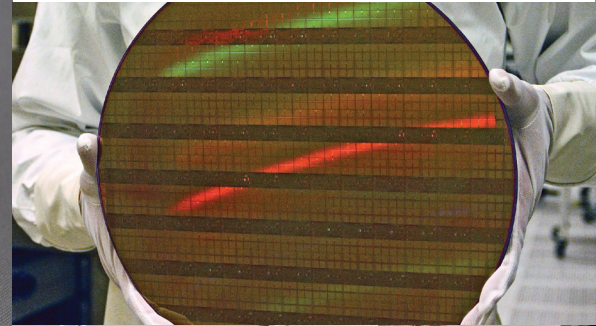
Applications

It is our position based on our testing that Furon UPX Valves are ideal for use in the semiconductor industry, or other applications, such as Flat Panel, Photovoltaic, and Chemical Processing requiring ultra-high purity and/or superior chemical resistance. You should conduct your own testing to understand its compatibility with your specific application.

Our testing* has shown among other things that Furon UPX Valves are:

- Designed for use in ultra-pure deionized water and aggressive chemical applications
- Suitable for use in certain abrasive slurry such as SS25
- Compatible with concentrated HF 49% and HCl 37 %

* The testing results may vary based on other impacting factors



Features and Benefits

- Superior life expectancy over competitive valves
- Suitable for use in all chemicals, including concentrated HF and HCl
- Suitable for use in abrasive slurries
- 100% virgin PTFE/PFA flow path
- Double diaphragm containment with standard leak detection port
- No exposed metallics
- Integral swivel base for freedom and ease of mounting
- Visual position indicator standard
- Furon UPX Valve designs have been tested for more than 3 million cycles

ASK AN ENGINEER


SAINT-GOBAIN

Furon UPX Valve - Pneumatically Actuated, 2-Way

Part Number	End Connection Type	Orifice		End Connection Size				A		B		C		ØD		E	
		in	mm	in	mm	in	mm	in	mm	in	mm	in	mm	in	mm		
UPX2-F44-NC	FlareGrip® II	1/4	6.35	1/4	6.35	4.3	109.22	1.38	35.05	3.38	85.85	2.12	53.85	2.72	69.09		
UPX2-S30044-NC	Nippon Pillar Super 300®			1/4	6.35	Please contact us											
UPX2-F46-NC	FlareGrip® II			3/8	9.52	4.7	119.38										
UPX2-S30046-NC	Nippon Pillar Super 300®			3/8	9.52	Please contact us											
UPX2-744-NC	FuseBond™	1/2	12.7	1/4	6.35	4.9	124.46	1.70	43.18	3.97	100.84	2.88	73.15	3.62	91.95		
UPX2-F88-NC	FlareGrip® II			1/2	12.7	5.6	142.24										
UPX2-S30088-NC	Nippon Pillar Super 300®			1/2	12.7	5.5	139.70										
UPX2-S300812-NC	Nippon Pillar Super 300®			3/4	19.05	7.2	182.88										
UPX2-788-NC	FuseBond™	3/4	19.05	1/2	12.7	5.6	142.24	1.90	48.26	4.24	107.70	3.40	86.36	4.20	106.68		
UPX2-7812-NC	FuseBond™			3/4	19.05	5.9	149.86										
UPX2-F1212-NC	FlareGrip® II			3/4	19.05	6.3	160.02										
UPX2-S3001212-NC	Nippon Pillar Super 300®			3/4	19.05	8.0	203.20										
UPX2-F1216-NC	FlareGrip® II	3/4	19.05	1	25.4	6.9	175.26	1.90	48.26	4.24	107.70	3.40	86.36	4.20	106.68		
UPX2-S3001216-NC	Nippon Pillar Super 300®			1	25.4	8.0	203.20										
UPX2-71212-NC	FuseBond™			3/4	19.05	5.9	149.86										
UPX2-71216-NC	FuseBond™			1	25.4	5.8	147.32										

Tested with HCl for more than 2.1 million cycles and HF for more than 1.1 million cycles

Operating Specifications

Operating Pressure	100 psig (6.9 bar) at room temperature			
Back Pressure	100 psig (6.9 bar) at room temperature			
Flow	Orifice	1/4"	1/2"	3/4"
	Cv	0.8	3.2	7.0
Max Operating Temperature*	Ambient: 149°F (65°C) Media: 230°F (110°C)**			
Actuator Pressure	70 - 90 PSIG (4.8 - 6.2 bar)			
Body	PFA			
Diaphragm	Modified PTFE			
Top Cap	ETFE			

* Please contact us for higher temperature options

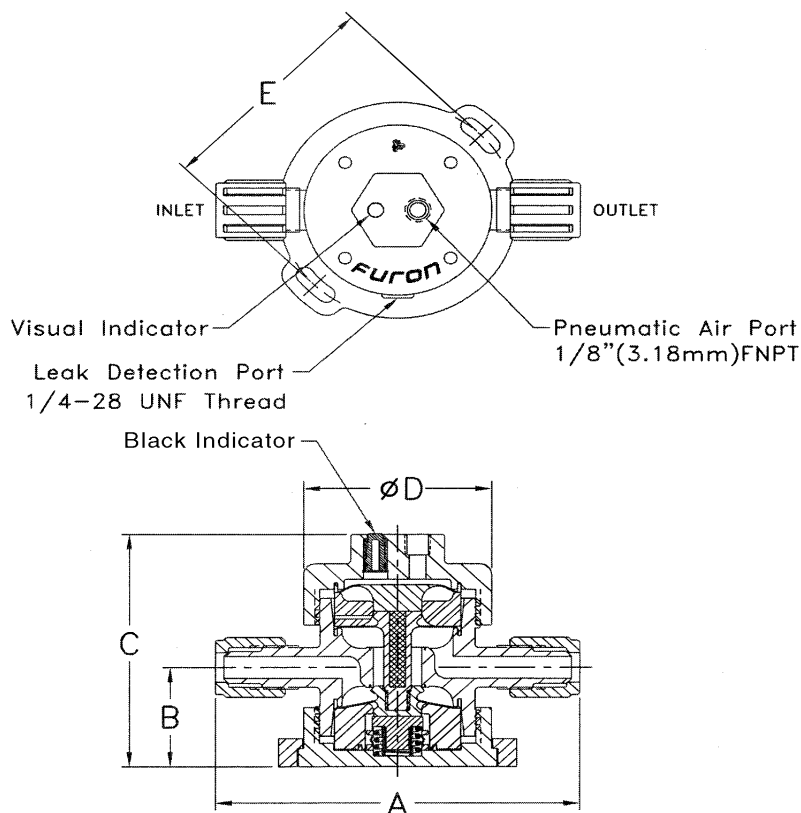
**It is recommended to use a FuseBond™ or Nippon Pillar Super 300® connection over a flare fitting for high temperature application

Options

- PFA Flare nuts (add -3)
- Other end connection types available. [Contact us](#) for:
 - FNPT
 - Sanitary Flange
 - Tube End
 - Others not listed
- Alternative flow patterns, [Contact us](#)
- High Temperature version is available, [Contact us](#)
- Normally Open valve
 - Replace NC by NO on the provided PN

Furon UPX Valve - Pneumatically Actuated, 2-Way

Drawings



U.S. Patents 5,967,173 & 5,261,442



Saint-Gobain Performance Plastics

China (+8621) 5472 1568
Sales.PPLCN@saint-gobain.com

Europe (+33) 3 85 20 27 00
quotes-clm@saint-gobain.com

India (+91) 80 46978888
pplindia.hc@saint-gobain.com

Japan (+81) 3 6256 9703
ls-japan@saint-gobain.com

Korea (+82) 2 6098 0180
LS-Korea@saint-gobain.com

Southeast Asia (+66) 38 667 800
cs.sgplsea@saint-gobain.com

Taiwan (+886) 2 2503 4201
Taiwan.ppl@saint-gobain.com

United States (+1) 800-833-5661
gardengrovequoteteam@saint-gobain.com

All Other Regions
www.furon.com

NOTE: This document is intended to provide information about the product to enable you to consider whether generally the Product meets your application need and is not intended to provide product specification. This document should not be considered a Product warranty or guaranty. To the extent this document mentions any tests done by Saint-Gobain, such tests are done under controlled laboratory circumstances and hence other factors in your use and application may impact such values. Saint-Gobain strongly recommends that you conduct practical tests simulating the conditions of your application to ensure that the product meets your requirements for your specific application.

Furon®, FlareGrip® and FuseBond™ are registered trademarks of Saint-Gobain Performance Plastics. Nippon Pillar Super 300® is a registered trademark of Nippon Pillar Packing Co.

WARRANTY: Saint-Gobain warrants that the Product will meet specifications at the time of delivery and honor such warranty claims for a period of 30 months after delivery. In the event that you are a distributor purchasing Saint-Gobain Product, any change to specification while in your control as a result of storage conditions or otherwise may cause the above warranty to be voided. THIS IS THE EXCLUSIVE WARRANTY AND IS EXPRESSLY IN LIEU OF ANY AND ALL OTHER OBLIGATIONS, GUARANTEES, WARRANTIES AND REPRESENTATIONS. SAINT-GOBAIN DISCLAIMS ALL IMPLIED WARRANTIES OF MERCHANTABILITY AND FITNESS FOR A PARTICULAR PURPOSE.