



FURON[®]
Pure Performance

Furon[®] UPRP Precision Regulator

Pneumatically Actuated (1/4" Orifice)

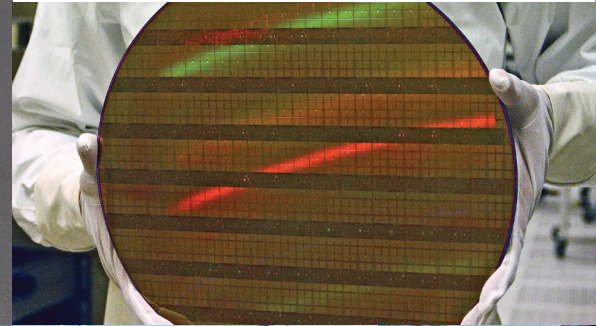
Description

Furon UPRP Precision Pressure Regulators are engineered to control downstream fluid pressures with the utmost precision. A large sensing dome allows for a 1:1 ratio between the pilot air pressure and the desired output pressure. For example, setting the pilot air pressure to 40 psi will regulate the fluid output pressure to approximately 40 psi. Additionally, our unique diaphragm design assures that the regulators will not "chatter" at the lower end of the pressure range settings, a behavior common to many types of competing pressure regulators.

Wetted flow path is 100% PTFE and PFA and the regulator is 100% metal-free and elastomer-free, making the UPRP Pressure Regulators an ideal choice for Semiconductor applications, or any other application requiring high purity and/or superior chemical resistance.

Applications

- Precise regulation of pressures in aggressive or ultrapure chemical or DI water lines
- Protecting sensitive instrumentation from pressure spikes
- Preventing foreign particles from being forced through filtration membranes due to unstable pressures



Features and Benefits

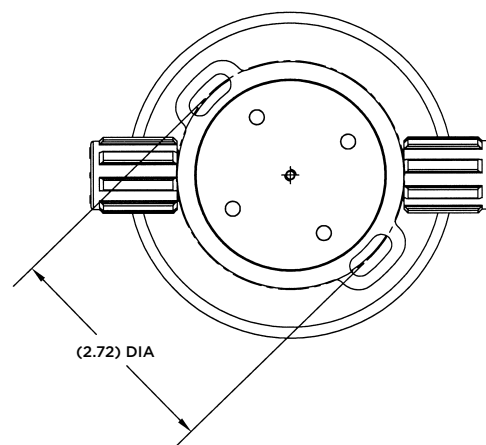
- Precise, chatter-free control of downstream fluid pressure
- Handles fluid temperatures up to 194°F (90°C)
- All virgin PTFE/Fluoroloyt[®] and PFA wetted flow path
- Non-metallic external surfaces
- Secondary diaphragm protects air system
- PTFE isolation bellows
- Integral leak port

ASK AN ENGINEER


SAINT-GOBAIN

Furon UPRP 1/4" Precision Regulator - Pneumatically Actuated

Part Number	End Connection	Orifice (in)	Port Size (in)	A (in)
UPRP-F44-P	FlareGrip® II	1/4	1/4	4.5 (114.3 mm)
UPRP-S30044-P	Nippon Pillar Super 300®	1/4	1/4	4.5 (114.3 mm)
UPRP-F46-P	FlareGrip® II	1/4	3/8	4.75 (120.7 mm)
UPRP-S30046-P	Nippon Pillar Super 300®	1/4	3/8	4.75 (120.7 mm)
UPRP-F48-P	FlareGrip® II	1/4	1/2	5.35 (135.9 mm)
UPRP-S30048-P	Nippon Pillar Super 300®	1/4	1/2	5.35 (135.9 mm)
UPRP-744-P	Fusebond™	1/4	1/4	4.9 (124.5 mm)



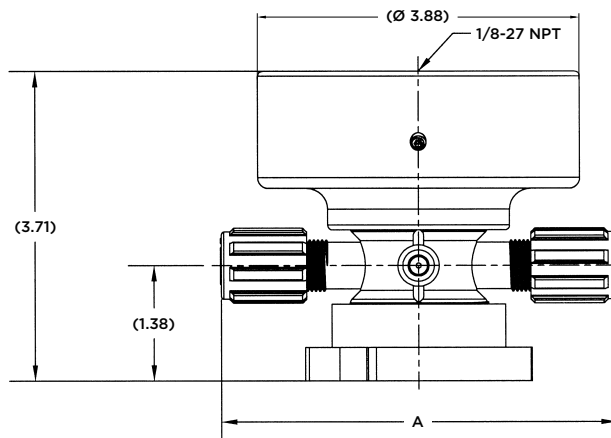
Operating Specifications

Max. Operating Pressure	90 psig (6.2 bar)
Max. Operating Temperature	Ambient: 122°F (50°C) Media: 194°F (90°C)
Pressure Regulation Range	10 - 60 psig (0.7 - 4.1 bar)
Flow Factor	C _v 0.8
Body	PTFE
Diaphragm	Modified PTFE
Top Cap (Air Actuator)	Polypropylene

Options

- High temperature version (320°F / 160°C)
- Other end connections not listed

[Please consult factory](#) for further details >>



Saint-Gobain Performance Plastics
 7301 Orangewood Avenue
 Garden Grove, CA 92841
 1-800-833-5661
 Tel: (714) 630-5818
 Fax: (714) 688-2614

www.furon.com

NOTE: The data and details given in this document are correct and up to date. This document is intended to provide information about the product and possible applications. This document is not the product specification and does not provide specific features, nor does it guarantee product performance in specific applications. Saint-Gobain cannot anticipate or control the conditions of the field and for this reason strongly recommends that practical tests are conducted to ensure that the product meets the requirements of a specific application.

Furon®, FlareGrip® and FuseBond™ are registered trademarks of Saint-Gobain Performance Plastics. Super 300® is a registered trademark of Nippon Pillar Packaging Co. LTD.

IMPORTANT: It is the user's responsibility to ensure the suitability and safety of Saint-Gobain Performance Plastics products for all intended uses and that the components to be used comply with all applicable regulatory requirements. Saint-Gobain Performance Plastics assumes no responsibility for any product failures that occur due to misuse arising out of the design, fabrication or application of the products into which they are incorporated.

WARRANTY: If Product is Purchased by Customer for use: Saint-Gobain warranties that the Product Specifications is for a period of 18 months, provided Customer can establish that the Product did not conform to Specification at time of delivery and the non-conformance of the Product to Specification has not been caused as a result of any action or inaction by the Customer or Customer's storage conditions. If Product is Purchased by Distributor or Reseller: Saint-Gobain warranties that the Product Specifications for a period of 18 months, provided Distributor can establish that the Product did not conform to Specification at time of delivery and the non-conformance of the Product to Specification has not been caused as a result of any action or inaction by the Distributor/Reseller or its or because of storage conditions under which the Product is stored at Distributor/Reseller's and/or Customer/End User's storage facility. THIS IS THE EXCLUSIVE WARRANTY AND IS EXPRESSLY IN LIEU OF ANY AND ALL OTHER OBLIGATIONS, GUARANTEES, WARRANTIES AND REPRESENTATIONS. SAINT-GOBAIN PERFORMANCE PLASTICS DISCLAIMS ALL IMPLIED WARRANTIES OF MERCHANTABILITY AND FITNESS FOR A PARTICULAR PURPOSE.