



FURON[®]
Pure Performance

Furon[®] HPVM-RV

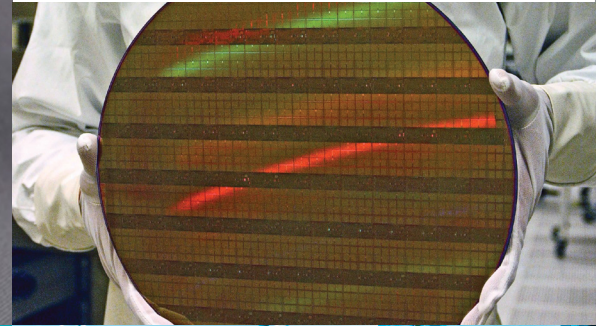
Furon Pressure Relief Valve: Safety and Purity

Description

The Furon Pressure Relief Valve is built on a simple and efficient design that allows the valve to open and relieve to a certain pressure. The valve comes preset from the factory at a certain pressure rating but can be easily adjusted on the field with a knob which is located at its top. The valve can be installed in any position and is designed on the existing Furon HPVM valve base, ensuring it meets the most stringent requirement from your Semiconductor application.

Applications

The Furon HPVM-RV Pressure Relief Valve is designed specifically for those applications where there is a need to ensure that pressure doesn't built in above a certain value, that you may preset in advance.



Features and Benefits

- High-purity Fluoropolymer construction:
 - High Purity injected PFA body
 - High Purity high fatigue PTFE diaphragm
- Compact design
- Easy adjust via Knob
 - From 25 to 80 PSIG
- Build on industry proven valve
- Various flow configuration available

ASK AN ENGINEER


SAINT-GOBAIN

Furon HPVM-RV

Part Number	Orifice Size (in)	Connection Size (in)	End Connection	A
HPVM2-F44-RV	1/4	1/4	FlareGrip® II	3.51" (89.9 mm)
HPVM2-F46-RV	1/4	3/8	FlareGrip® II	3.76" (95.3 mm)
HPVM2-S30044-RV	1/4	1/4	Nippon Pillar Super 300®	4.22" (102.2 mm)
HPVM2-S30046-RV	1/4	3/8	Nippon Pillar Super 300®	4.46" (113.3 mm)

HPVM-RV may be ordered with a fixed preset value for the relief function.

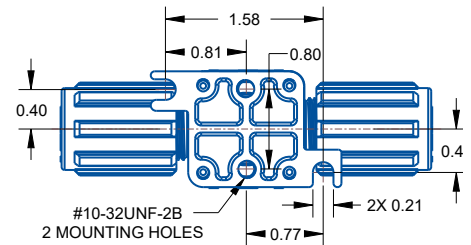
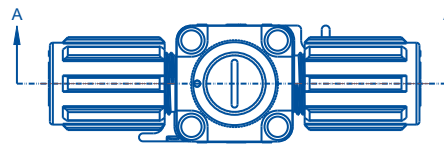
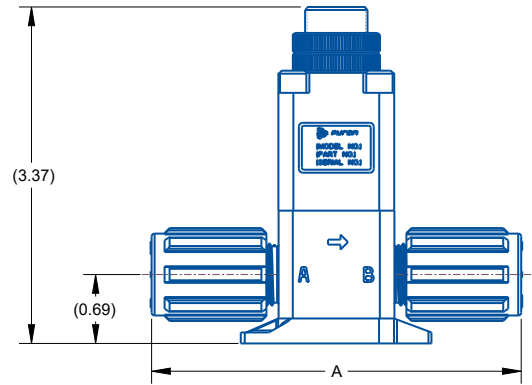
Ordering Specifications

Max Operating Pressure	80 psig (5.5 bar)
Flow	Up to Cv 0.82
Max Operating Temperature	Ambient: 140°F (60°C) Media: 203°F (95°C)
Adjustable Pressure Range	25 – 80 PSIG (1.7 – 5.5 bar)
Body	PFA
Diaphragm	Modified PTFE
Actuator Housing	Polypropylene

Options

- PFA Flare nuts (add-3)
- ETFE nuts (add-2)
- Other end connection types available:
 - FNPT

[Please consult factory](#) for further details >>



Saint-Gobain Performance Plastics
 7301 Orangewood Avenue
 Garden Grove, CA 92841
 1-800-833-5661
 Tel: (714) 630-5818
 Fax: (714) 688-2614

www.furon.com

NOTE: The data and details given in this document are correct and up to date. This document is intended to provide information about the product and possible applications. This document is not the product specification and does not provide specific features, nor does it guarantee product performance in specific applications. Saint-Gobain cannot anticipate or control the conditions of the field and for this reason strongly recommends that practical tests are conducted to ensure that the product meets the requirements of a specific application.

Furon®, FlareGrip® and FuseBond™ are registered trademarks of Saint-Gobain Performance Plastics. Super 300® is a registered trademark of Nippon Pillar Packaging Co. LTD.

IMPORTANT: It is the user's responsibility to ensure the suitability and safety of Saint-Gobain Performance Plastics products for all intended uses and that the components to be used comply with all applicable regulatory requirements. Saint-Gobain Performance Plastics assumes no responsibility for any product failures that occur due to misuse arising out of the design, fabrication or application of the products into which they are incorporated.

WARRANTY: If Product is Purchased by Customer for use: Saint-Gobain warranties that the Product Specifications is for a period of 18 months, provided Customer can establish that the Product did not conform to Specification at time of delivery and the non-conformance of the Product to Specification has not been caused as a result of any action or inaction by the Customer or Customer's storage conditions. If Product is Purchased by Distributor or Reseller: Saint-Gobain warranties that the Product Specifications for a period of 18 months, provided Distributor can establish that the Product did not conform to Specification at time of delivery and the non-conformance of the Product to Specification has not been caused as a result of any action or inaction by the Distributor/Reseller or its or because of storage conditions under which the Product is stored at Distributor/Reseller's and/or Customer/End User's storage facility. THIS IS THE EXCLUSIVE WARRANTY AND IS EXPRESSLY IN LIEU OF ANY AND ALL OTHER OBLIGATIONS, GUARANTEES, WARRANTIES AND REPRESENTATIONS. SAINT-GOBAIN PERFORMANCE PLASTICS DISCLAIMS ALL IMPLIED WARRANTIES OF MERCHANTABILITY AND FITNESS FOR A PARTICULAR PURPOSE.