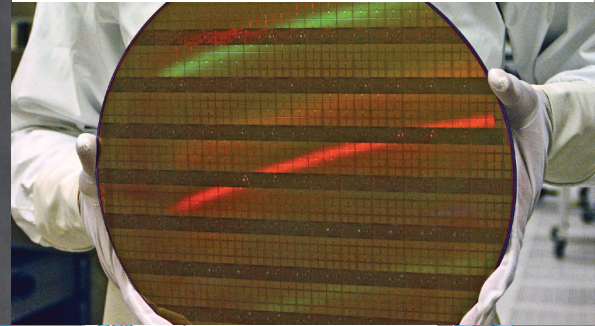


FURON®

Pure Performance



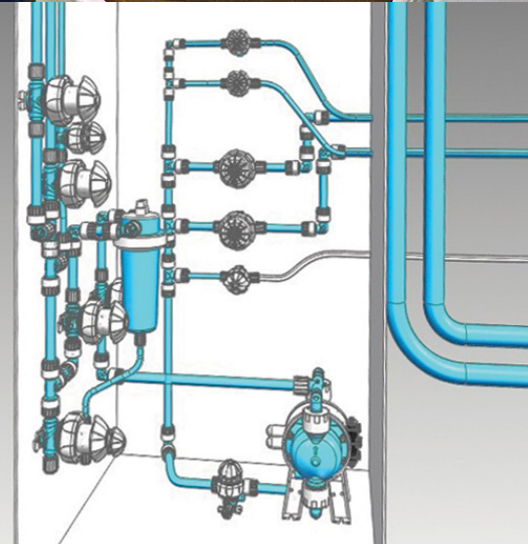
Furon® InLine Valve

Pneumatic Actuated 2-Way Valve

Furon InLine Pneumatic Valves are high-purity, injection molded valves designed to provide unparalleled high flow performance coupled with an ultra compact footprint. Our patented rolling diaphragm technology ensures a long life and enables a high pressure rating, coupled with a visual position indicator for added safety. Incorporating our innovative single seal union end fittings to the Furon InLine Valve, it offers the advantages of a welded system with the ability to rapidly change out components while eliminating dead volume and elastomeric contamination.

Applications

- Bulk Chemical Delivery Systems and Chemical Distribution Systems in Semiconductor fabs
- Chemical processing applications
- Ultrapure deionized water applications
- Suitable for use in abrasive slurry
- Applications requiring high back pressure (up to 100 PSIG/6.9 bar)



Features and Benefits

- True 1" (25.4 mm) Orifice
- 100% PFA HP and Virgin PTFE wetted flow path
- High Flow Factor of Cv 15
- Patented rolling diaphragm technology
- Fully swept, low shear internal flow path
- No exposed metallics
- Visual position indicator
- Tested for more than 1 million cycles
- Tested for HCl reliability for more than 450,000 cycles

ASK AN ENGINEER

SAINT-GOBAIN

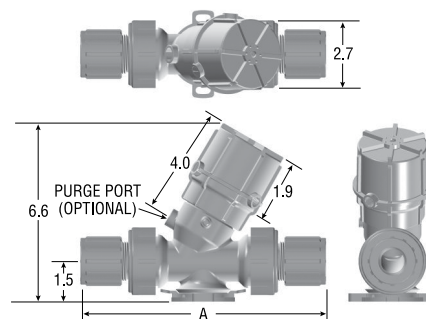
Furon InLine Valve - Pneumatic

Part Number	Actuation	End Connection Type	Orifice		End Connection Size		A		
			in	mm	in	mm	in	mm	
INL2-F1612-NC	Normally Closed	FlareGrip® II	1	25.4	3/4	19.05	8.4	214	
INL2-F1612-NO	Normally Open	FlareGrip® II			3/4	19.05			
INL2-F1616-NC	Normally Closed	FlareGrip® II			1	25.4	9.1	231	
INL2-F1616-NO	Normally Open	FlareGrip® II			1	25.4			
INL2-F1620-NC	Normally Closed	FlareGrip® II			1-1/4	31.75	9.3	237	
INL2-F1620-NO	Normally Open	FlareGrip® II			1-1/4	31.75			
INL2-71616-NC	Normally Closed	FuseBond™			1	25.4	8.5	216	
INL2-71616-NO	Normally Open	FuseBond™			1	25.4			
INL2-S3001612-NC	Normally Closed	Nippon Pillar Super 300°			3/4	19.05	Please contact us		
INL2-S3001612-NO	Normally Open	Nippon Pillar Super 300°			3/4	19.05	Please contact us		
INL2-S3001616-NC	Normally Closed	Nippon Pillar Super 300°			1	25.4	10.9	277	
INL2-S3001616-NO	Normally Open	Nippon Pillar Super 300°			1	25.4			
INL2-S3001620-NC	Normally Closed	Nippon Pillar Super 300°	1-1/4	31.75	Please contact us				
INL2-S3001620-NO	Normally Open	Nippon Pillar Super 300°	1-1/4	31.75	Please contact us				

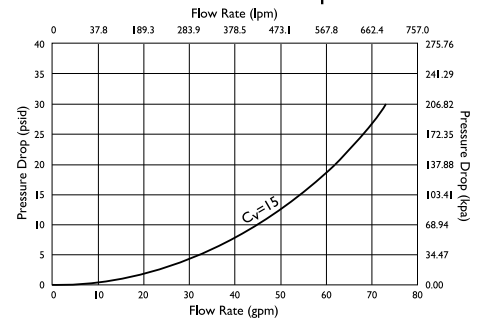
Operating Specifications

Max. Inlet Liquid Pressure	100 psig (6.9 bar)
Max. Outlet Liquid Pressure	100 psig (6.9 bar)
Flow	Cv up to 15
Max. Operating Temperature	Ambient: 122°F (50°C) Media: 212°F (100°C)
Actuator Pressure	60-90 PSIG (4.1-6.2 bar)
Body	PFA
Diaphragm	PTFE
Actuator Housing	Polypropylene

Furon InLine Pneumatic (with 1" Fine Thread Fitting)



Flow Vs. Pressure Drop



Saint-Gobain Performance Plastics

China (+8621) 5472 1568
Sales.PPLCN@saint-gobain.com

Europe (+33) 3 85 20 27 00
quotes-clm@saint-gobain.com

India (+91) 80 46978888
pplindia.hc@saint-gobain.com

Japan (+81) 3 6256 9703
ls-japan@saint-gobain.com

Korea (+82) 2 6098 0180
LS-Korea@saint-gobain.com

Southeast Asia (+66) 38 667 800
cs.sgplsea@saint-gobain.com

Taiwan (+886) 2 2503 4201
Taiwan.ppl@saint-gobain.com

United States (+1) 800-833-5661
gardengrovequoteteam@saint-gobain.com

All Other Regions
www.furon.com

NOTE: This document is intended to provide information about the product to enable you to consider whether generally the Product meets your application need and is not intended to provide product specification. This document should not be considered a Product warranty or guaranty. To the extent this document mentions any tests done by Saint-Gobain, such tests are done under controlled laboratory circumstances and hence other factors in your use and application may impact such values. Saint-Gobain strongly recommends that you conduct practical tests simulating the conditions of your application to ensure that the product meets your requirements for your specific application.

Furon®, FlareGrip®, FuseBond™ are registered trademarks of Saint-Gobain Performance Plastics.

WARRANTY: Saint-Gobain warrants that the Product will meet specifications at the time of delivery and honor such warranty claims for a period of 18 months after delivery. In the event that you are a distributor purchasing Saint-Gobain Product, any change to specification while in your control as a result of storage conditions or otherwise may cause the above warranty to be voided. THIS IS THE EXCLUSIVE WARRANTY AND IS EXPRESSLY IN LIEU OF ANY AND ALL OTHER OBLIGATIONS, GUARANTEES, WARRANTIES AND REPRESENTATIONS. SAINT-GOBAIN DISCLAIMS ALL IMPLIED WARRANTIES OF MERCHANTABILITY AND FITNESS FOR A PARTICULAR PURPOSE.