

Furon® 2" HGVM Valve

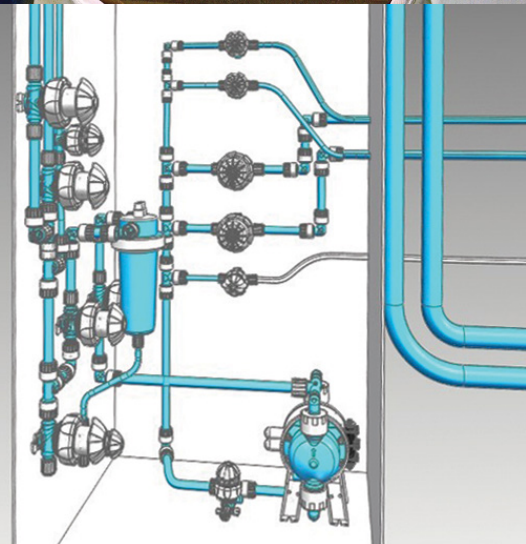
Manually Actuated, 2-Way Valve (2" Orifice)

Furon HGVM Manual Valves offer a reliable means of handling large volumes of aggressive or ultra-pure chemistries. Engineered from virgin PTFE, injection molded PFA and other engineered thermoplastics, Furon HGVM valves offer the highest Cv flow factors of any fluoropolymer valve of its size. Our patented PTFE rolling diaphragm is ideal for use in high backpressure conditions, which are commonly found in Bulk Chemical Delivery Systems. In-line fluid ports and a fully swept internal flow path support maximum flow efficiency. The manually-actuated version features a large, ergonomically designed adjustment knob for ease of operation while wearing cleanroom gloves. Furon HGVM Valves also feature our time-proven O-ring Free Union end connections, simplifying installation and eliminating the potential for elastomeric contamination. As extra protection against chemical leakage, our HGVM Valves incorporate a dual O-Ring Free Union which provides a secondary sealing surface and locking design feature.

Applications

Furon HGVM Valves are ideal for use in the semiconductor industry, or other applications requiring high purity and/or superior chemical resistance.

- Bulk Chemical Delivery Systems in the Semiconductor Industry
- Suitable for use in abrasive slurry
- Transfer of large volumes of aggressive, abrasive, and/or ultra-high purity chemistries



Features and Benefits

- 52 Cv flow factor
- All virgin PTFE and PFA wetted flow path
- Fully swept internal flow path
- Patented rolling diaphragm
- Visual position indication facilitates end user safety
- In-line ports support maximum flow efficiency and ease of installation
- O-ring Free Unions eliminate dead space and elastomeric contamination
- High back pressure capability ensures safety and high performance
- Dual O-ring Free union and locking design feature for improved protection

ASK AN ENGINEER

Furon 2" HGVM Valve - Manually Actuated

Part Number	Actuation	End Connection Type	Orifice		End Connection Size	
			in	mm	in	mm
HGVM2-73232-MT	Multi-Turn	FuseBond™	2	50.8	2	50.8
HGVM2-73224-MT	Multi-Turn	FuseBond™			1-1/2	38.1

Ordering & Technical Specifications

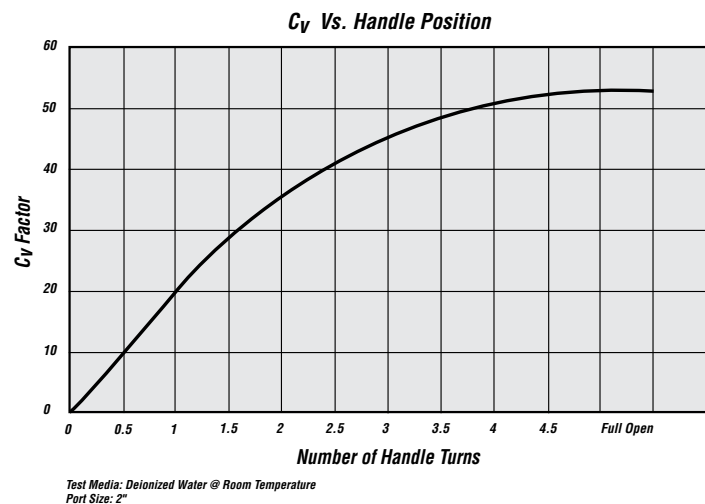
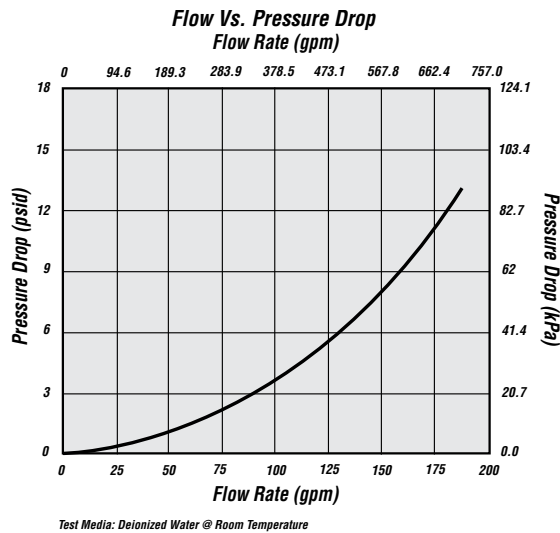
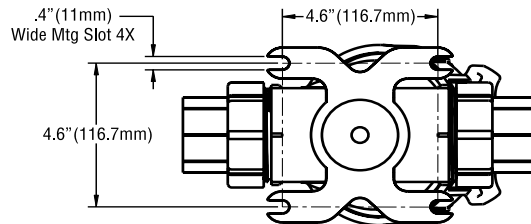
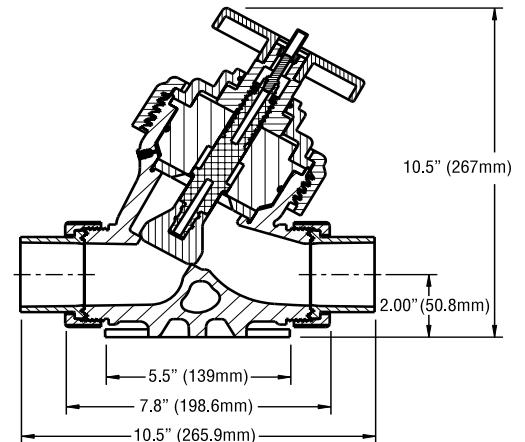
Operating Pressure	80 PSIG (5.5 bar)
Back Pressure	80 PSIG (5.5 bar)
Flow	C _v 52
Max. Operating Temperature	Ambient: 122°F (50°C) Media: 203°F (95°C)
Body	PFA
Diaphragm	Modified PTFE
Actuator Housing and Knob	Polypropylene

Options

Other end connection types available:

- Nippon Pillar Super 300
- Others not listed

[Please contact us](#) for further details >>



Saint-Gobain Performance Plastics

China (+8621) 5472 1568
Sales.PPLCN@saint-gobain.com

Europe (+33) 3 85 20 27 00
MaconCSteam@saint-gobain.com

India (+91) 80 46978888
pplindia.hc@saint-gobain.com

Japan (+81) 3 6256 9703
ls-japan@saint-gobain.com

Korea (+82) 2 6098 0180
LS-Korea@saint-gobain.com

Southeast Asia (+66) 38 667 800
cs.sgplsea@saint-gobain.com

Taiwan (+886) 2 2503 4201
Taiwan.ppl@saint-gobain.com

United States (+1) 800-833-5661
gardengrovequoteteam@saint-gobain.com

All Other Regions
www.furon.com

NOTE: This document is intended to provide information about the product to enable you to consider whether generally the Product meets your application need and is not intended to provide product specification. This document should not be considered a Product warranty or guaranty. To the extent this document mentions any tests done by Saint-Gobain, such tests are done under controlled laboratory circumstances and hence other factors in your use and application may impact such values. Saint-Gobain strongly recommends that you conduct practical tests simulating the conditions of your application to ensure that the product meets your requirements for your specific application.

Furon®, FlareGrip® and FuseBond™ are registered trademarks of Saint-Gobain Performance Plastics.

WARRANTY: Saint-Gobain warrants that the Product will meet specifications at the time of delivery and honor such warranty claims for a period of 18 months after delivery. In the event that you are a distributor purchasing Saint-Gobain Product, any change to specification while in your control as a result of storage conditions or otherwise may cause the above warranty to be voided. THIS IS THE EXCLUSIVE WARRANTY AND IS EXPRESSLY IN LIEU OF ANY AND ALL OTHER OBLIGATIONS, GUARANTEES, WARRANTIES AND REPRESENTATIONS. SAINT-GOBAIN DISCLAIMS ALL IMPLIED WARRANTIES OF MERCHANTABILITY AND FITNESS FOR A PARTICULAR PURPOSE.