

Furon[®] SCM2 Valve

Manually Actuated, 2-Way Molded Stopcock Valve

Description

Furon[®] SCM valves provide a simple but reliable solution for your fluid handling applications while offering the benefits of its metal- and elastomer-free, High Purity fluoropolymer construction. Our design and application expertise in fluoropolymer valves have allowed us to provide you with an entrapment free, full flow-through component.

Applications

Our Furon SCM valves are available in numerous configuration alternatives in both 2-way and 3-way valves, and feature a simple, easy to operate actuation handle.

Features and Benefits

- Metal-free construction
- 100% HP PFA and virgin PTFE wetted flow path
- O-Ring free design
- Bi-directional flow
- Flow through design
- Assembled, tested & double-bagged in a clean room
- Panel mount available

Furon SCM2 Valve

Part Number	Connection Size (in.)	Orifice	Panel Mount	D01	L1	D03	L3	H	P	T	M
SCM2-F4	1/4 FlareGrip®II 1/4 FlareGrip II	5/32	NO	0.8 (20.3 mm)	1.77 (45 mm)	0.8 (20.3 mm)	1.77 (45 mm)	1.93 (48.9 mm)	0.86 (21.8 mm)	0.59 (15 mm)	1.6 (40.8 mm)
SCM2P-F4	1/4 FlareGrip II 1/4 FlareGrip II	5/32	YES (Cutout A)*	0.8 (20.3 mm)	1.77 (45 mm)	0.8 (20.3 mm)	1.77 (45 mm)	2.67 (67.9 mm)	1.32 (33.5 mm)	0.59 (15 mm)	1.6 (40.8 mm)
SCM2-F454	1/4 FlareGrip II 1/4 NPTM	5/32	NO	0.8 (20.3 mm)	1.77 (45 mm)	0.54 (13.7 mm)	1.02 (25.9 mm)	1.93 (48.9 mm)	0.86 (21.8 mm)	0.59 (15 mm)	1.6 (40.8 mm)
SCM2P-F454	1/4 FlareGrip II 1/4 NPTM	5/32	YES (Cutout A)	0.8 (20.3 mm)	1.77 (45 mm)	0.54 (13.7 mm)	1.02 (25.9 mm)	2.67 (67.9 mm)	1.32 (33.5 mm)	0.59 (15 mm)	1.6 (40.8 mm)
SCM2-F6	3/8 FlareGrip II 3/8 FlareGrip II	5/32	NO	0.91 (23.1 mm)	1.91 (48.5 mm)	0.91 (23.1 mm)	1.91 (48.5 mm)	1.93 (48.9 mm)	0.91 (23.1 mm)	0.59 (15 mm)	1.6 (40.8 mm)
SCM2P-F6	3/8 FlareGrip II 3/8 FlareGrip II	5/32	YES (Cutout B)	0.91 (23.1 mm)	1.91 (48.5 mm)	0.91 (23.1 mm)	1.91 (48.5 mm)	2.67 (67.9 mm)	1.32 (33.5 mm)	0.59 (15 mm)	1.6 (40.8 mm)
SCM2-F656	3/8 FlareGrip II 3/8 NPTM	5/32	NO	0.91 (23.1 mm)	1.91 (48.5 mm)	0.67 (17.1 mm)	1.06 (27.1 mm)	1.93 (48.9 mm)	0.91 (23.1 mm)	0.59 (15 mm)	1.6 (40.8 mm)
SCM2P-F656	3/8 FlareGrip II 3/8 NPTM	5/32	YES (Cutout B)	0.91 (23.1 mm)	1.91 (48.5 mm)	0.67 (17.1 mm)	1.06 (27.1 mm)	2.67 (67.9 mm)	1.32 (33.5 mm)	0.59 (15 mm)	1.6 (40.8 mm)
SCM2-F8	1/2 FlareGrip II 1/2 FlareGrip II	5/16	NO	1.03 (26.2 mm)	2.2 (56 mm)	1.0 (26.2 mm)	2.2 (56 mm)	2.7 (68.6 mm)	1.3 (33 mm)	0.83 (21 mm)	2.25 (57.1 mm)
SCM2P-F8	1/2 FlareGrip II 1/2 FlareGrip II	5/16	YES (Cutout B)	1.03 (26.2 mm)	2.2 (56 mm)	1.03 (26.2 mm)	2.2 (56 mm)	3.49 (88.6 mm)	1.86 (47.3 mm)	0.83 (21 mm)	2.25 (57.1 mm)
SCM2-F856	1/2 FlareGrip II 3/8 NPTM	5/16	NO	1.03 (26.2 mm)	2.2 (56 mm)	0.67 (17.1 mm)	1.26 (32 mm)	2.7 (68.6 mm)	1.3 (33 mm)	0.83 (21 mm)	2.25 (57.1 mm)
SCM2P-F856	1/2 FlareGrip II 3/8 NPTM	5/16	YES (Cutout B)	1.03 (26.2 mm)	2.2 (56 mm)	0.67 (17.1 mm)	1.26 (32 mm)	3.49 (88.6 mm)	1.86 (47.3 mm)	0.83 (21 mm)	2.25 (57.1 mm)
SCM2-F858	1/2 FlareGrip II 1/2 NPTM	5/16	NO	1.03 (26.2 mm)	2.2 (56 mm)	0.84 (21.3 mm)	1.3 (32.9 mm)	2.7 (68.6 mm)	1.3 (33 mm)	0.83 (21 mm)	2.25 (57.1 mm)
SCM2P-F858	1/2 FlareGrip II 1/2 NPTM	5/16	YES (Cutout B)	1.03 (26.2 mm)	2.2 (56 mm)	0.84 (21.3 mm)	1.3 (32.9 mm)	3.49 (88.6 mm)	1.86 (47.3 mm)	0.83 (21 mm)	2.25 (57.1 mm)

*See Cutout A or Cutout B drawings below

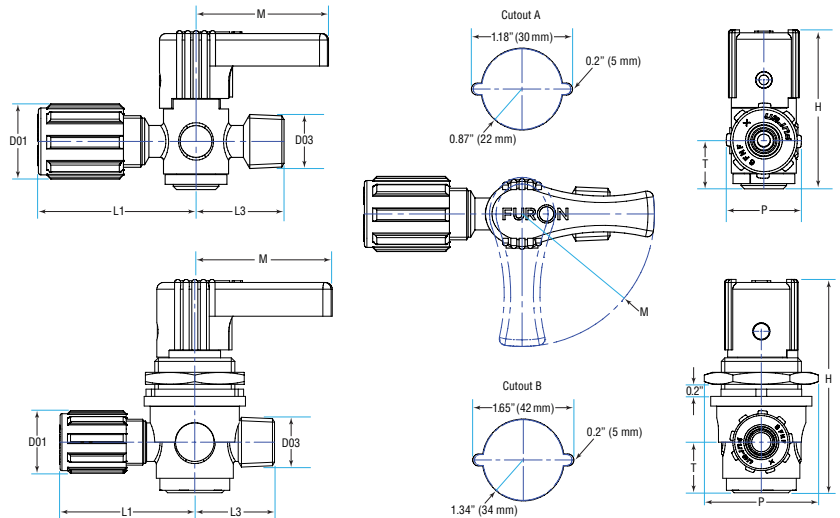
Standard Options (Please contact the factory for further detail)

- PFA Flare nuts (add-3)
- Other connection types available:
 - FNPT
 - Pipe
 - Tube End
- Various configurations available:
 - Flare x FNPT
 - Flare x Flare

Operating Specifications

Operating Temperature	Media: 0°C to 60°C (32°F to 140°F)
Operating Pressure**	3 bars
Body	High Purity PFA
Key	High Purity PTFE
Handle & Panel Mount	Polypropylene

**Room temperature



Saint-Gobain Performance Plastics
7301 Orangewood Avenue
Garden Grove, CA 92841

1-800-833-5661
Tel: (714) 630-5818
Fax: (714) 688-2614

Saint-Gobain Performance Plastics France
56, Chemin des Berthilliers
71850 CHARNAY LES MACON, France

Tel: 33/(0) 3 85 20 27 00
Fax: 33/(0) 3 85 29 18 48

www.processsystems.saint-gobain.com

NOTE: The data and details given in this document are correct and up to date. This document is intended to provide information about the product and possible applications. This document is not the product specification and does not provide specific features, nor does it guarantee product performance in specific applications. Saint-Gobain cannot anticipate or control the conditions of the field and for this reason strongly recommends that practical tests are conducted to ensure that the product meets the requirements of a specific application.

Furon® and FlareGrip® are registered trademarks.