

Furon[®] Q-Valve

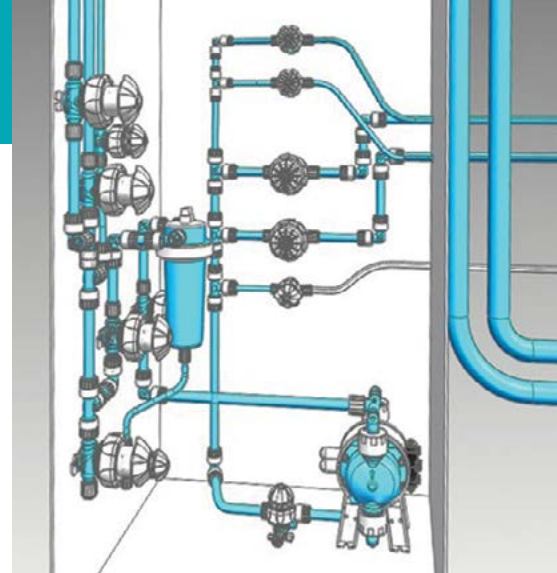
Manual Quarter-Turn Actuated, 2-Way Valve (1/4", 1/2" & 3/4" Orifice)

Description

The Furon[®] Q-Valve provides a high-performance, cost-effective solution that ensures reliable fluid delivery to critical process applications. Compatible with most common installations, the Q-valve offers “drop-in” replacement as a valve upgrade in new or existing applications. The Q-valve designed and engineered to allow easy field maintenance with simple actuator and diaphragm replacement for low cost of ownership and superior system uptime.

Applications

The Furon[®] Q-Valve is ideal for applications that demand ultra-high-purity media handling along with the high quality and performance standards that you expect from Furon[®] valves. Primary applications include ultra-high-purity chemical delivery for semiconductor, photovoltaic, and chemical processing. Furon[®] Q-Valves are also proven to be highly reliable in abrasive slurry applications.



Features and Benefits

- 100% HP PFA and virgin PTFE wetted flow path
- Integrated visual position indication
- Bi-directional flow
- Leak detection port (1/4-28 UNF)
- “Place and turn” integrated mounting base
- Assembled, tested and double-bagged in a clean room
- Metal-free construction
- Easy preventive maintenance

Furon® Q-Valve

Part Number	End Connection	Orifice (in.)	Port Size (in.)	A	B	C	D	E	F	Panel Cutout	Max. Panel Thickness
QV2-F44-M	Flaregrip® II	1/4	1/4	3.59 (91.2 mm)	0.57 (10.2 mm)	1.61 (44.0 mm)	4.38 (111.2 mm)	2.3 (59.9 mm)	2.94 (75 mm)	1.44 (36.6 mm)	0.45 (11.4 mm)
QV2-F46-M	Flaregrip II	1/4	3/8	4.13 (105 mm)							
QV2-744-M	Fusebond™	1/4	1/4	4.00 (101.6 mm)							
QV2-144-M	FNPT	1/4	1/4	2.35 (59.8 mm)	0.73 (18.5 mm)	1.85 (47.0 mm)	5.01 (127.2 mm)	2.9 (73.7 mm)	2.94 (75 mm)	1.44 (36.6 mm)	0.45 (11.4 mm)
QV2-F88-M	Flaregrip II	1/2	1/2	4.48 (113.8 mm)							
QV2-F812-M	Flaregrip II	1/2	3/4	5.28 (134.0 mm)							
QV2-788-M	Fusebond	1/2	1/2	4.61 (117.0 mm)							
QV2-7812-M	Fusebond	1/2	3/4	5.28 (134.0 mm)							
QV2-186-M	FNPT	1/2	3/8	2.60 (66.0 mm)	0.97 (24.6 mm)	2.74 (69.5 mm)	6.63 (168.4 mm)	4.2 (107 mm)	4.08 (103 mm)	N/A	N/A
QV2-188-M	FNPT	1/2	1/2	2.60 (66.0 mm)							
QV2-F1212-M	Flaregrip II	3/4	3/4	6.09 (154.8 mm)							
QV2-F1216-M	Flaregrip II	3/4	1	5.71 (145.0 mm)							
QV2-71212-M	Fusebond	3/4	3/4	5.75 (146.0 mm)							
QV2-71216-M	Fusebond	3/4	1	5.71 (145.0 mm)							

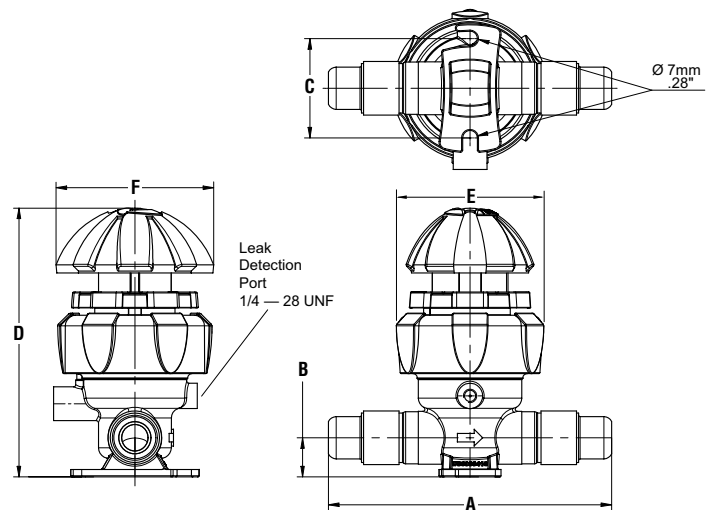
Ordering & Technical Specifications

	1/4" Orifice	1/2" Orifice	3/4" Orifice
Operating Pressure	80 psig (5.5 bar)	80 psig (5.5 bar)	80 psig (5.5 bar)
Back Pressure	80 psig (5.5 bar)	80 psig (5.5 bar)	80 psig (5.5 bar)
Flow	C _v 0.8	C _v 3.5	C _v 9.4
Tool Kit	1112226	1112227	1112228
Actuator Repair Kit-M	1113964	1113668	1113972
Diaphragm Repair Kit	1113974	1113975	1113976
Operating Temperature	Ambient: 0°C to 60°C (32°F to 140°F) Media: 0°C to 80°C (32°F to 180°F)		
Body	High-Purity PFA		
Diaphragm	Modified PTFE		
Actuator Components	Engineered Plastics		

Standard Options

- PFA Flare nuts (add -3)
- Other connection types (tube ends, Nippon Pillar Super 300®). Contact Customer Service for details.

Flow is calculated (Using QV2-F46-NC, QV2-F812NC and QV2-F1216. When using smaller orifice connections flow will be reduced accordingly. Pneumatic and multi-turn versions are also available.



Saint-Gobain Performance Plastics
 7301 Orangewood Avenue
 Garden Grove, CA 92841
 1-800-833-5661
 Tel: (714) 630-5818
 Fax: (714) 688-2614

Saint-Gobain Performance Plastics France
 56, Chemin des Berthilliers
 71850 CHARNAY LES MACON, France
 Tel: 33/(0) 3 85 20 27 00
 Fax: 33/(0) 3 85 29 18 48
www.processsystems.saint-gobain.com

NOTE: The data and details given in this document are correct and up to date. This document is intended to provide information about the product and possible applications. This document is not the product specification and does not provide specific features, nor does it guarantee product performance in specific applications. Saint-Gobain cannot anticipate or control the conditions of the field and for this reason strongly recommends that practical tests are conducted to ensure that the product meets the requirements of a specific application.

Furon®, FlareGrip® and Nippon Pillar Super 300® are registered trademarks.
 FuseBond™ is a trademark.