

Furon[®] Gauge Protector

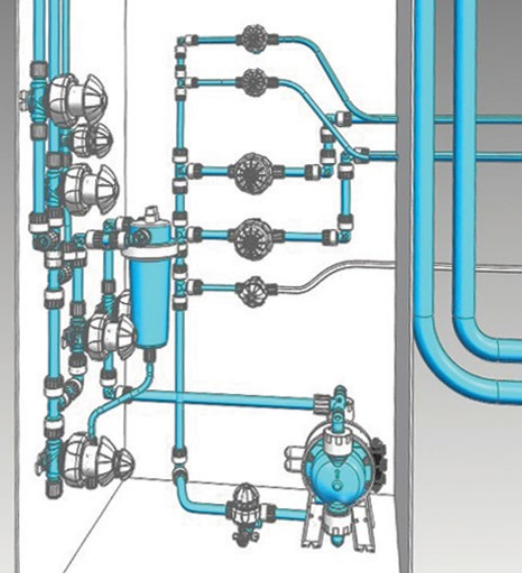
Single & Double Diaphragm, Molded

Description

Furon[®] Gauge Protectors isolate metal pressure gauges and transducers from potentially damaging media, protecting downstream equipment. Furon[®] Gauge Protectors utilize a PTFE diaphragm to isolate the process chemistry from the filler fluid. Double-diaphragm Gauge Protectors offer dual containment protection against aggressive or high-temperature process chemistries. Innovative design features dual fill ports for the isolation media, allowing for easy fill and purge. A variety of isolation media may be used, including glycerin, DI water, and IPA/DI mixtures. Furon[®] Gauge Protectors are 100% metal and elastomer free, contributing to longer product life and significantly reducing the potential for leakage or contamination. A wide variety of configurations is available to accommodate the requirements of virtually any application. Options include flow-through tees which are fuse-bonded to eliminate the potential for thread leakage, pressure transducers with digital display, and custom end connections.

Applications

- Commonly used to indicate remaining filter life
- Isolates metal pressure gauges or transducers from corrosive or aggressive media
- Suitable for use in abrasive slurry
- Protects high-purity media from potential contamination caused by pressure gauges or transducers
- Eliminates media hold-up volumes common in gauges and transducers



Features and Benefits

- Isolates metal gauge or pressure transducer from media
- 100% non-metallic construction
- All high purity molded PFA body; PTFE diaphragm
- Proprietary diaphragm seals with no hold up volume or elastomers
- Easy fill/bleed dual fill ports
- Variety of mounts optional including fuse bonded flow-thru tee option
- Optionally available with pressure gauge installed

Furon® Pressure Gauge Protector - Single Diaphragm

Part Number	End Connection	Gauge Mounting	Gauge Rating
GPMSO-144-0-0	1/4" FNPT	1/4 – 18 FNPT	Without Gauge
GPMSF-144-A-DI	1/4" FNPT	1/4 – 18 FNPT	0 – 15 PSIG
GPMSF-144-B-DI	1/4" FNPT	1/4 – 18 FNPT	0 – 30 PSIG
GPMSF-144-C-DI	1/4" FNPT	1/4 – 18 FNPT	0 – 60 PSIG
GPMSF-144-D-DI	1/4" FNPT	1/4 – 18 FNPT	0 – 100 PSIG
GPMSF-144-E-DI	1/4" FNPT	1/4 – 18 FNPT	0 – 160 PSIG

Furon® Pressure Gauge Protector - Double Diaphragm

Part Number	End Connection	Gauge Mounting	Gauge Rating
GPMDO-144-0-0	1/4" FNPT	1/4 – 18 FNPT	Without Gauge
GPMDF-144-B-DI	1/4" FNPT	1/4 – 18 FNPT	0 – 30 PSIG
GPMDF-144-C-DI	1/4" FNPT	1/4 – 18 FNPT	0 – 60 PSIG
GPMDF-144-D-DI	1/4" FNPT	1/4 – 18 FNPT	0 – 100 PSIG
GPMDF-144-E-DI	1/4" FNPT	1/4 – 18 FNPT	0 – 160 PSIG

Ordering & Technical Specifications

Maximum Media Temperature	302°F (150°C)
Maximum Pressure	120 psig (8.3 bar) at room temperature
Accuracy	5% of full scale (when ordered with gauge installed)
End Connection	1/4" FNPT
Gauge Port	1/4" FNPT
Fill Fluid	Deionized (DI) water

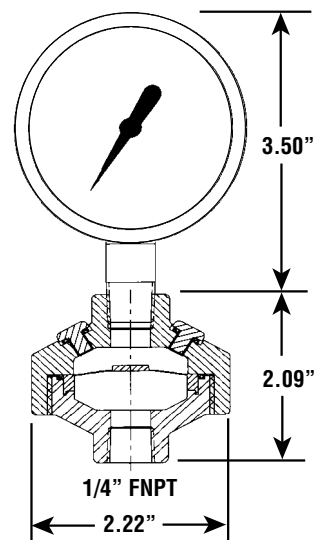
Options

- Flow-through tee - fuse bonded to Gauge Protector (please consult factory)
- Alternate fill fluids

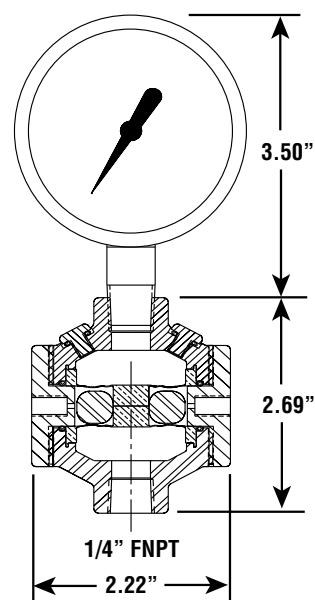
Notes

Gauge protector accuracy performance directly related to the amount of air trapped while filling the gauge and pressure transducer chamber. Minimum gauge accuracy of 5% of full scale when filled by Furon Fluid Handling Product manufacturing facility. Units filled by customer may result in varied level of accuracy.

Single Diaphragm



Double Diaphragm



Saint-Gobain Performance Plastics

7301 Orangewood Avenue
Garden Grove, CA 92841

1-800-833-5661
Tel: (714) 630-5818
Fax: (714) 688-2614

www.processsystems.saint-gobain.com

NOTE: The data and details given in this document are correct and up to date. This document is intended to provide information about the product and possible applications. This document is not the product specification and does not provide specific features, nor does it guarantee product performance in specific applications. Saint-Gobain cannot anticipate or control the conditions of the field and for this reason strongly recommends that practical tests are conducted to ensure that the product meets the requirements of a specific application.

Furon®, FlareGrip® and Nippon Pillar Super 300® are registered trademarks.
FuseBond™ is a trademark.