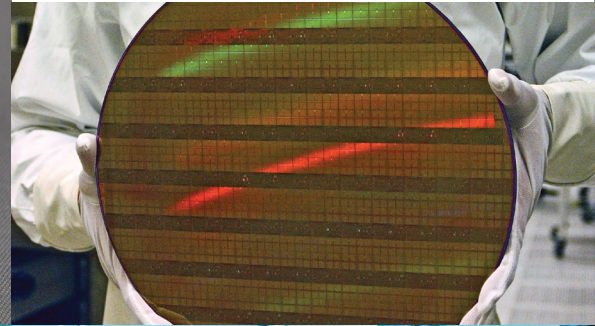


FURON®

Pure Performance



Furon® SCM2 Valve

Manually Actuated, 2-Way Molded Stopcock Valve

Description

Furon SCM2 valves provide a simple but reliable solution for your fluid handling applications while offering the benefits of its metal- and elastomer-free, High Purity fluoropolymer construction. Our design and application expertise in fluoropolymer valves have allowed us to provide you with an entrapment free, full flow-through component.

Applications

Our Furon SCM valves are available in numerous configuration alternatives in both 2-way and 3-way valves, and feature a simple, easy to operate actuation handle.

Features and Benefits

- Metal-free construction
- 100% HP PFA and virgin PTFE wetted flow path
- O-Ring free design
- Bi-directional flow
- Flow through design
- Assembled, tested & double-bagged in a cleanroom
- Panel mount available

ASK AN ENGINEER

SAINT-GOBAIN

Furon SCM2 Valve

Part Number	Connection Size (in)	Orifice	Panel Mount	D01 (in)	L1 (in)	D03 (in)	L3 (in)	H (in)	P (in)	T (in)	M (in)
SCM2-F4	1/4 FlareGrip®II 1/4 FlareGrip®II	5/32	NO	0.8 (20.3 mm)	1.77 (45 mm)	0.8 (20.3 mm)	1.77 (45 mm)	1.93 (48.9 mm)	0.86 (21.8 mm)	0.59 (15 mm)	1.6 (40.8 mm)
SCM2P-F4	1/4 FlareGrip®II 1/4 FlareGrip®II	5/32	YES (Cutout A)*	0.8 (20.3 mm)	1.77 (45 mm)	0.8 (20.3 mm)	1.77 (45 mm)	2.67 (67.9 mm)	1.32 (33.5 mm)	0.59 (15 mm)	1.6 (40.8 mm)
SCM2-F454	1/4 FlareGrip®II 1/4 NPTM	5/32	NO	0.8 (20.3 mm)	1.77 (45 mm)	0.54 (13.7 mm)	1.02 (25.9 mm)	1.93 (48.9 mm)	0.86 (21.8 mm)	0.59 (15 mm)	1.6 (40.8 mm)
SCM2P-F454	1/4 FlareGrip®II 1/4 NPTM	5/32	YES (Cutout A)	0.8 (20.3 mm)	1.77 (45 mm)	0.54 (13.7 mm)	1.02 (25.9 mm)	2.67 (67.9 mm)	1.32 (33.5 mm)	0.59 (15 mm)	1.6 (40.8 mm)
SCM2-F6	3/8 FlareGrip®II 3/8 FlareGrip®II	5/32	NO	0.91 (23.1 mm)	1.91 (48.5 mm)	0.91 (23.1 mm)	1.91 (48.5 mm)	1.93 (48.9 mm)	0.91 (23.1 mm)	0.59 (15 mm)	1.6 (40.8 mm)
SCM2P-F6	3/8 FlareGrip®II 3/8 FlareGrip®II	5/32	YES (Cutout B)	0.91 (23.1 mm)	1.91 (48.5 mm)	0.91 (23.1 mm)	1.91 (48.5 mm)	2.67 (67.9 mm)	1.32 (33.5 mm)	0.59 (15 mm)	1.6 (40.8 mm)
SCM2-F656	3/8 FlareGrip®II 3/8 NPTM	5/32	NO	0.91 (23.1 mm)	1.91 (48.5 mm)	0.67 (17.1 mm)	1.06 (27.1 mm)	1.93 (48.9 mm)	0.91 (23.1 mm)	0.59 (15 mm)	1.6 (40.8 mm)
SCM2P-F656	3/8 FlareGrip®II 3/8 NPTM	5/32	YES (Cutout B)	0.91 (23.1 mm)	1.91 (48.5 mm)	0.67 (17.1 mm)	1.06 (27.1 mm)	2.67 (67.9 mm)	1.32 (33.5 mm)	0.59 (15 mm)	1.6 (40.8 mm)
SCM2-F8	1/2 FlareGrip®II 1/2 FlareGrip®II	5/16	NO	1.03 (26.2 mm)	2.2 (56 mm)	1.0 (26.2 mm)	2.2 (56 mm)	2.7 (68.6 mm)	1.3 (33 mm)	0.83 (21 mm)	2.25 (57.1 mm)
SCM2P-F8	1/2 FlareGrip®II 1/2 FlareGrip®II	5/16	YES (Cutout B)	1.03 (26.2 mm)	2.2 (56 mm)	1.03 (26.2 mm)	2.2 (56 mm)	3.49 (88.6 mm)	1.86 (47.3 mm)	0.83 (21 mm)	2.25 (57.1 mm)
SCM2-F856	1/2 FlareGrip®II 3/8 NPTM	5/16	NO	1.03 (26.2 mm)	2.2 (56 mm)	0.67 (17.1 mm)	1.26 (32 mm)	2.7 (68.6 mm)	1.3 (33 mm)	0.83 (21 mm)	2.25 (57.1 mm)
SCM2P-F856	1/2 FlareGrip®II 3/8 NPTM	5/16	YES (Cutout B)	1.03 (26.2 mm)	2.2 (56 mm)	0.67 (17.1 mm)	1.26 (32 mm)	3.49 (88.6 mm)	1.86 (47.3 mm)	0.83 (21 mm)	2.25 (57.1 mm)
SCM2-F858	1/2 FlareGrip®II 1/2 NPTM	5/16	NO	1.03 (26.2 mm)	2.2 (56 mm)	0.84 (21.3 mm)	1.3 (32.9 mm)	2.7 (68.6 mm)	1.3 (33 mm)	0.83 (21 mm)	2.25 (57.1 mm)
SCM2P-F858	1/2 FlareGrip®II 1/2 NPTM	5/16	YES (Cutout B)	1.03 (26.2 mm)	2.2 (56 mm)	0.84 (21.3 mm)	1.3 (32.9 mm)	3.49 (88.6 mm)	1.86 (47.3 mm)	0.83 (21 mm)	2.25 (57.1 mm)

*See Cutout A or Cutout B drawings below

Options [\(Please consult factory for details >>\)](#)

- PFA Flare nuts (add-3)
- Other connection types available:
 - FNPT
 - Pipe
 - Tube End
- Various configurations available:
 - Flare x FNPT
 - Flare x Flare

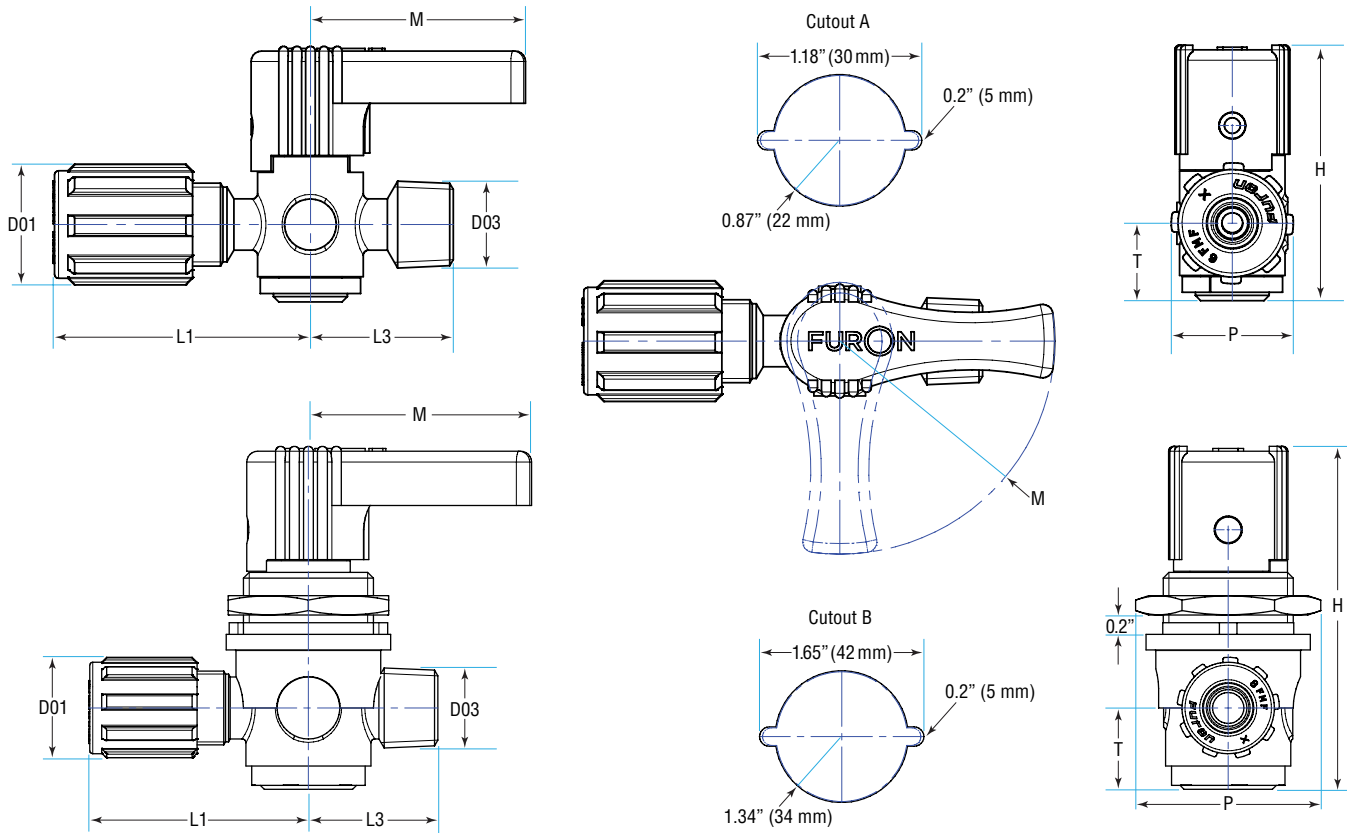
Operating Specifications

Operating Temperature	Max. Ambient: 86°F (30°C) Media: 0°C to 60°C (32°F to 140°F)
Operating Pressure**	3 bars
Body	High Purity PFA
Key	High Purity PTFE
Handle & Panel Mount	Polypropylene

**Room temperature

Furon SCM2 Valve

Drawings



Saint-Gobain Performance Plastics
 7301 Orangewood Avenue
 Garden Grove, CA 92841
 1-800-833-5661
 Tel: (714) 630-5818
 Fax: (714) 688-2614

Saint-Gobain Performance Plastics - France
 56, Chemin des Berthilliers
 71850 Charnay-lès-Mâcon, France
 Tel: (33) 3-85-20-27-00
 Fax: (33) 3-85-29-18-48
www.furon.com

NOTE: The data and details given in this document are correct and up to date. This document is intended to provide information about the product and possible applications. This document is not the product specification and does not provide specific features, nor does it guarantee product performance in specific applications. Saint-Gobain cannot anticipate or control the conditions of the field and for this reason strongly recommends that practical tests are conducted to ensure that the product meets the requirements of a specific application.

Furon®, FlareGrip® and FuseBond™ are registered trademarks of Saint-Gobain Performance Plastics. Nippon Pillar Super 300® is a registered trademark of Nippon Pillar Packing Co.

IMPORTANT: It is the user's responsibility to ensure the suitability and safety of Saint-Gobain Performance Plastics products for all intended uses and that the components to be used comply with all applicable regulatory requirements. Saint-Gobain Performance Plastics assumes no responsibility for any product failures that occur due to misuse arising out of the design, fabrication or application of the products into which they are incorporated.

WARRANTY: If Product is Purchased by Customer for use: Saint-Gobain warrants that the Product Specifications is for a period of 18 months, provided Customer can establish that the Product did not conform to Specification at time of delivery and the non-conformance of the Product to Specification has not been caused as a result of any action or inaction by the Customer or Customer's storage conditions. If Product is Purchased by Distributor or Reseller: Saint-Gobain warrants that the Product Specifications for a period of 18 months, provided Distributor can establish that the Product did not conform to Specification at time of delivery and the non-conformance of the Product to Specification has not been caused as a result of any action or inaction by the Distributor/Reseller or its or because of storage conditions under which the Product is stored at Distributor/Reseller's and/or Customer/End User's storage facility. THIS IS THE EXCLUSIVE WARRANTY AND IS EXPRESSLY IN LIEU OF ANY AND ALL OTHER OBLIGATIONS, GUARANTEES, WARRANTIES AND REPRESENTATIONS. SAINT-GOBAIN PERFORMANCE PLASTICS DISCLAIMS ALL IMPLIED WARRANTIES OF MERCHANTABILITY AND FITNESS FOR A PARTICULAR PURPOSE.