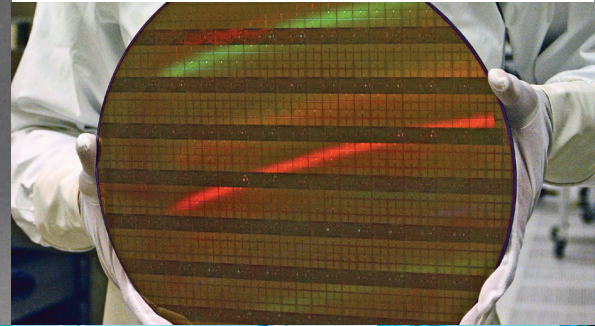


FURON[®]
Pure Performance



Furon[®] PPRD2 Pump

Pneumatic Dosing Pump 8–80 mL Stroke Capability

The Furon PPRD2 Pump is pneumatically operated: one bellows made from PTFE is driven forward and backward to deliver each dose of chemical. Furon PPRD2 Pumps come with either pneumatic or inductive end position sensors. They can be operated according to various modes: single shot, timer, preset number of strokes, etc, depending on the characteristics of the control unit selected.

All Furon PPRD2 Pump wetted components are manufactured with High-Purity PFA and PTFE and are suitable for pumping even the most corrosive concentrated chemicals (acids and solvents). All other components are manufactured with high technology materials; Our pumps are assembled in our cleanroom, tested with DI water, cleaned, then double sealed in plastic bags.

Applications

- Dosing of Ultrapure chemicals in Semiconductor fabs
- Dispensing of sensitive fluids
- Dispensing of corrosive, aggressive and ultra-pure fluids



Features and Benefits

- All wetted parts made of High-Purity PFA HP or Virgin PTFE
- Assembled, cleaned, and packed in cleanroom
- Self-priming
 - Easy to start
- Compact and clear construction
 - Easy to locate and maintain
- Clever manual tuning of the dose from 8 to 80 ml
 - Easy to set up
- +/- 1% accuracy and repeatability

ASK AN ENGINEER


SAINT-GOBAIN

Furon PPRD2 Pump Ordering Information

Part Number	End Stroke Sensor	Flare Type Fluid Connections	
		in	mm
PPRD2 208	Pneumatic	5/16 x 3/8	8 x 10
PPRD2 210		3/8 x 1/2	10 x 13
PPRD2 308	Inductive	5/16 x 3/8	8 x 10
PPRD2 310		3/8 x 1/2	10 x 13

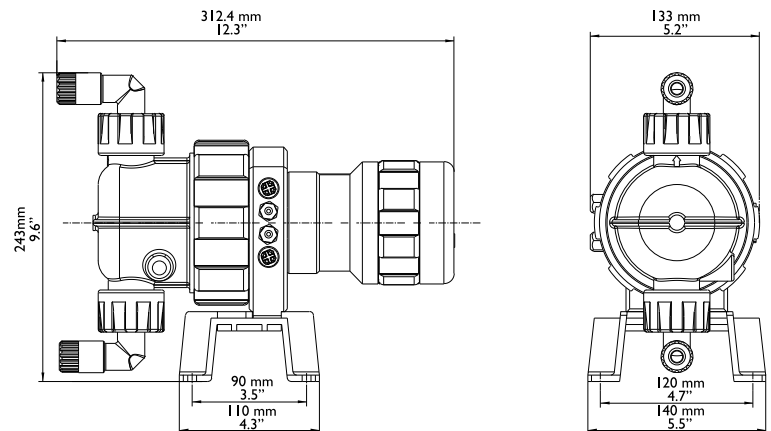
Control Box for Pneumatic Version Ordering Information

Part Number	Sensor Type	Control Type	Description
50 000 41	Pneumatic	Single Shot	Pump delivers one dose and stops
50 000 42	Pneumatic	Timer	Pump delivers a dose at pre-set time intervals (adjustable between 2 and 30 seconds) until stopped
50 000 44	Pneumatic	Preset Counter	Pump delivers a preset number of doses
50 000 43	Pneumatic	Timer + Preset Counter	Pump delivers a dose at pre-set time intervals (adjustable between 2 and 30 seconds) until a pre-set number of doses is reached

Operating Specifications

Single Shot	8–80 ml
Flow Rate	0–1 GPM (0–240 l/h)
Air Operating Pressure	40–70 PSI (3–5 bar)
Max. Delivery Pressure	60 PSI (4 bar)
Max. Air Consumption	3.5 SCFM (6m ³ /h)
Air Connection	Tubing 0.1 x 0.15 (2.7 x 4 mm)
Operating Temperature	Media: 212°F (100°C) Ambient: 32°F to 140°F (0°C to 60°C)
Weight	8 lbs (3.6 kg)
Dispense Accuracy	+/- 1%
Dispense Repeatability	+/- 1%
Maximum Fluid Viscosity	500 cps*

* Please contact us for higher viscosity.



Saint-Gobain Performance Plastics

China (+8621) 5472 1568
Sales.PPLCN@saint-gobain.com

Europe (+33) 3 85 20 27 00
quotes-clm@saint-gobain.com

India (+91) 80 46978888
pplindia.hc@saint-gobain.com

Japan (+81) 3 6256 9703
ls-japan@saint-gobain.com

Korea (+82) 2 6098 0180
LS-Korea@saint-gobain.com

Southeast Asia (+66) 38 667 800
cs.sgplsea@saint-gobain.com

Taiwan (+886) 2 2503 4201
Taiwan.ppl@saint-gobain.com

United States (+1) 800-833-5661
gardengrovequoteteam@saint-gobain.com

All Other Regions
www.furon.com

NOTE: This document is intended to provide information about the product to enable you to consider whether generally the Product meets your application need and is not intended to provide product specification. This document should not be considered a Product warranty or guaranty. To the extent this document mentions any tests done by Saint-Gobain, such tests are done under controlled laboratory circumstances and hence other factors in your use and application may impact such values. Saint-Gobain strongly recommends that you conduct practical tests simulating the conditions of your application to ensure that the product meets your requirements for your specific application.

Furon® is registered trademarks of Saint-Gobain Performance Plastics.

WARRANTY: Saint-Gobain warrants that the Product will meet specifications at the time of delivery and honor such warranty claims for a period of 18 after delivery, based on configuration. In the event that you are a distributor purchasing Saint-Gobain Product, any change to specification while in your control as a result of storage conditions or otherwise may cause the above warranty to be voided. THIS IS THE EXCLUSIVE WARRANTY AND IS EXPRESSLY IN LIEU OF ANY AND ALL OTHER OBLIGATIONS, GUARANTEES, WARRANTIES AND REPRESENTATIONS. SAINT-GOBAIN DISCLAIMS ALL IMPLIED WARRANTIES OF MERCHANTABILITY AND FITNESS FOR A PARTICULAR PURPOSE.