



## Furon<sup>®</sup> No-O-Ring Union

### Provides Flexibility in a Welded System

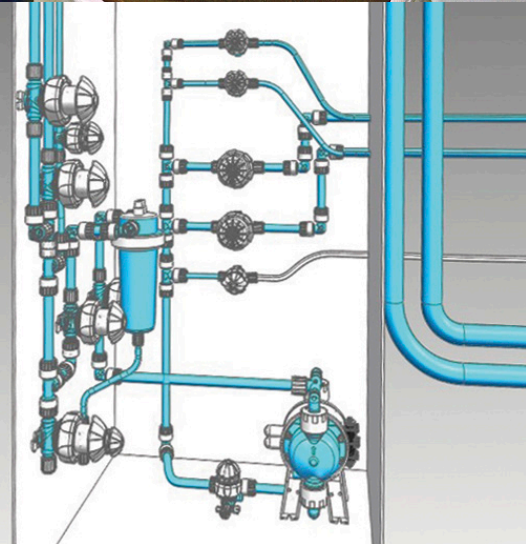
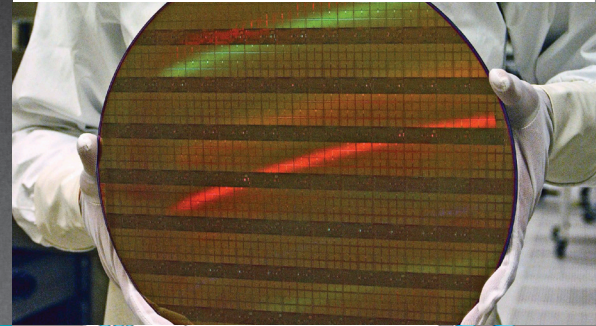
Utilizing our patent-protected tongue and groove seal, Furon No-O-ring Union provides flexibility to your welded system through its dismantling capability. It also lets you design a complex welded system that can be separated in sub-modules, enabling faster manipulation, installation and maintenance procedures.

#### Applications

The Furon No-O-ring Union primarily is utilized in welded systems that require easy manipulation and versatility in design but at the same time offers premium flow capability, cleanliness and safety.

Furon No-O-ring Unions are particularly well adapted in the following applications:

- Chemical delivery systems
- Welded Valve boxes
- Manifolds



#### Features and Benefits

- Molded from virgin premium high-purity PFA
- Ideally used with:
  - Furon HP PFA Pipe
- Patent protected tongue and groove seal
- O-ring free design
- Universal chemical resistance and compatibility
- High pressure capability
- Retains seal integrity over countless disassemblies/reassemblies
- No Dead space
- Available up to 2"

ASK AN ENGINEER

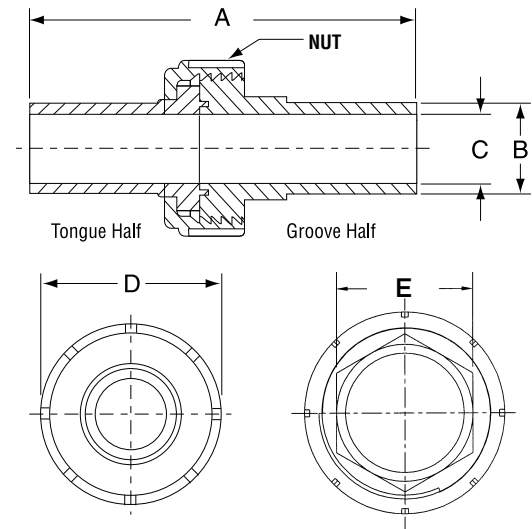
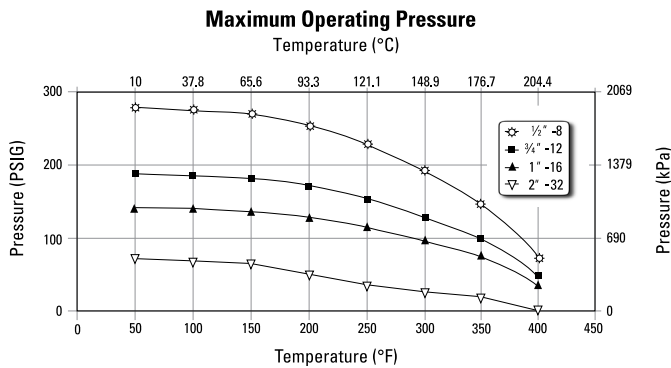
## Furon No-O-Ring Union

Part Number	Pipe Size		A		B		C		D		E HEX	
	in	mm	in	mm	in	mm	in	mm	in	mm	in	mm
SSUM-8788	1/2	12.7	4.26	108.2	0.840	21.3	0.607	15.4	2.00	50.8	0.870	22.1
SSUM-8788-C			2.26	57.4								
SSUM-1271212	3/4	19.1	4.47	113.5	1.050	26.6	0.809	20.5	2.13	54.1	1.05	26.7
SSUM-1271212-C			2.47	62.7								
SSUM-1671616	1	25.4	4.49	114.0	1.315	33.4	1.033	26.2	2.50	63.5	1.315	33.4
SSUM-1671616-C			2.49	63.2								
SSUM-3273232	2	50.8	3.8	96.3	2.38	60.5	2.05	52.1	3.50	88.9	2.375	60.3

## Operating Specifications

Max. Operating Temperature	See graphical chart
Max. Operating Pressure	See graphical chart
Fitting Body Material	100% Virgin High Purity PFA
Nut Material	ETFE

\*Based on size, [Please contact us](#) for more detail or specific configuration  
 \*\*At ambient temperature



### Saint-Gobain Performance Plastics

**China** (+8621) 5472 1568  
 Sales.PPLCN@saint-gobain.com

**Europe** (+33) 3 85 20 27 00  
 quotes-clm@saint-gobain.com

**India** (+91) 80 46978888  
 pplindia.hc@saint-gobain.com

**Japan** (+81) 3 6256 9703  
 ls-japan@saint-gobain.com

**Korea** (+82) 2 6098 0180  
 LS-Korea@saint-gobain.com

**Southeast Asia** (+66) 38 667 800  
 cs.sgplsea@saint-gobain.com

**Taiwan** (+886) 2 2503 4201  
 Taiwan.ppl@saint-gobain.com

**United States** (+1) 800-833-5661  
 gardengrovequoteteam@saint-gobain.com

**All Other Regions**  
 www.furon.com

**NOTE:** This document is intended to provide information about the product to enable you to consider whether generally the Product meets your application need and is not intended to provide product specification. This document should not be considered a Product warranty or guaranty. To the extent this document mentions any tests done by Saint-Gobain, such tests are done under controlled laboratory circumstances and hence other factors in your use and application may impact such values. Saint-Gobain strongly recommends that you conduct practical tests simulating the conditions of your application to ensure that the product meets your requirements for your specific application.

Furon® is a registered trademark of Saint-Gobain Performance Plastics.

**WARRANTY:** Saint-Gobain warrants that the Product will meet specifications at the time of delivery and honor such warranty claims for a period of 18 months after delivery. In the event that you are a distributor purchasing Saint-Gobain Product, any change to specification while in your control as a result of storage conditions or otherwise may cause the above warranty to be voided. THIS IS THE EXCLUSIVE WARRANTY AND IS EXPRESSLY IN LIEU OF ANY AND ALL OTHER OBLIGATIONS, GUARANTEES, WARRANTIES AND REPRESENTATIONS. SAINT-GOBAIN DISCLAIMS ALL IMPLIED WARRANTIES OF MERCHANTABILITY AND FITNESS FOR A PARTICULAR PURPOSE.