

**FURON**<sup>®</sup>  
Pure Performance

# Furon<sup>®</sup> J-Valve

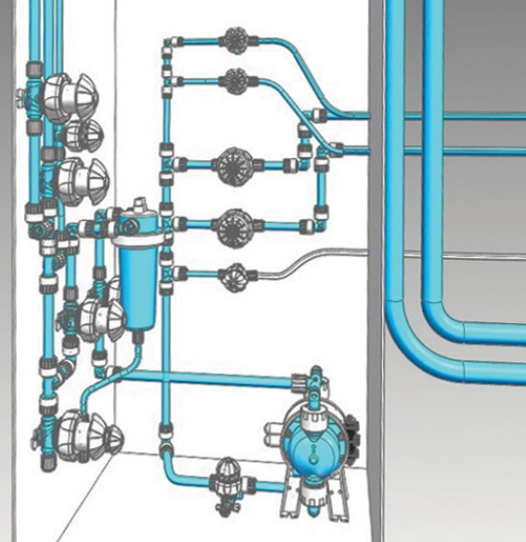
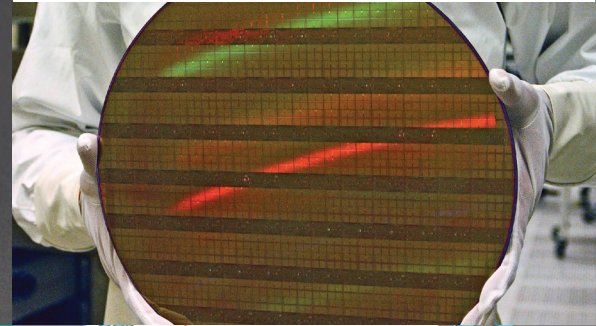
## Pneumatically Actuated, 2-Way Valve

### Description

Pneumatically actuated, 2-way diaphragm valve for reliable on/off control. Furon J-Valves are robust in design, offering superior performance in applications involving aggressive chemistries or abrasive slurries. Our J-Valves feature a high Cv flow factor in a small footprint, and also provide capability for operating in high back pressure applications. Wetted parts are 100% injection molded high-purity PFA with modified PTFE diaphragm, assuring the ultimate in high purity and resistance to the most aggressive media. A fully swept flow path allows for complete drain down of media with no hold-up volume. Additionally, Furon J-Valves are life cycle tested to over two million cycles, assuring superior reliability in process-critical applications.

### Applications

- Chemical distribution systems in the Semiconductor industry
- Ultrapure deionized water applications
- Suitable for use in abrasive slurry
- Applications requiring high back pressure (up to 85 PSIG) and/or high flow (7.2 Cv)



### Features and Benefits

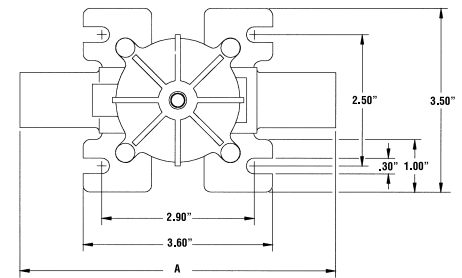
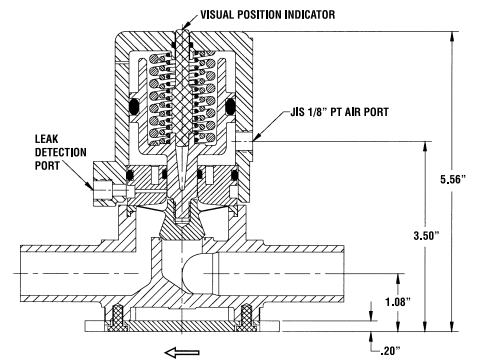
- Life cycle tested to 2 million cycles
- Pressure rated to 85 PSIG (5.7 bar)
- Maximum flow rating of 7.2 Cv
- High Purity PFA and PTFE wetted components
- Fully swept flow path supports no hold up volume
- Visual position indicator
- Leak detection port
- J-Valve designs have been tested for more than 3 million cycles

ASK AN ENGINEER

  
**SAINT-GOBAIN**

## Furon J-Valve - Pneumatically Actuated, 2-Way

Part Number	Flow Path	End Connection	Orifice (in)	Port Size (in)	A
JV2-F1212-NC	Normally Closed	FlareGrip® II	3/4	3/4	6.2" (157.5 mm)
JV2-F1212-NO	Normally Open	FlareGrip® II	3/4	3/4	6.2" (157.5 mm)
JV2-F1216-NC	Normally Closed	FlareGrip® II	3/4	1	6.2" (156.2 mm)
JV2-F1216-NO	Normally Open	FlareGrip® II	3/4	1	6.2" (156.2 mm)
JV2-71212-NC	Normally Closed	FuseBond™	3/4	3/4	6.0" (152.4 mm)
JV2-71212-NO	Normally Open	FuseBond™	3/4	3/4	6.0" (152.4 mm)
JV2-71216-NC	Normally Closed	FuseBond™	3/4	1	8.24" (209.3 mm)
JV2-71216-NO	Normally Open	FuseBond™	3/4	1	8.24" (209.3 mm)
JV2-S3001212-NC	Normally Closed	Nippon Pillar Super 300®	3/4	3/4	6.7" (169.7 mm)
JV2-S3001212-NO	Normally Open	Nippon Pillar Super 300®	3/4	3/4	6.7" (169.7 mm)
JV2-S3001216-NC	Normally Closed	Nippon Pillar Super 300®	3/4	1	7.4" (189.0 mm)
JV2-S3001216-NO	Normally Open	Nippon Pillar Super 300®	3/4	1	7.4" (189.0 mm)



### Ordering & Technical Specifications

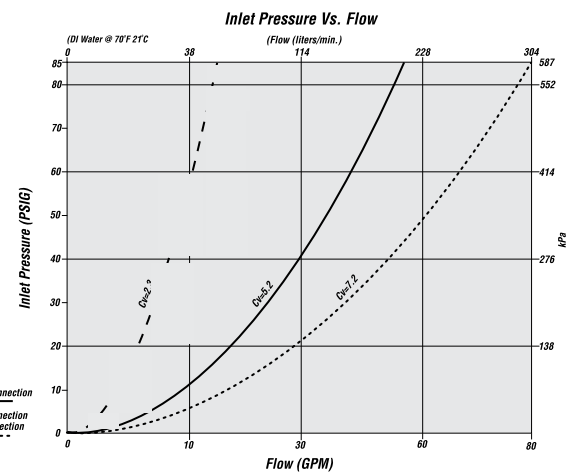
Operating Pressure	85 psig (5.9 bar)
Back Pressure	85 psig (5.9 bar)
Flow	C <sub>v</sub> 5.2 - 7.2
Max. Operating Temperature	Ambient: 122°F (50°C) Media: 203°F (95°C)
Actuator Pressure	60 - 100 PSIG (4.1 - 6.9 Bar)
Body	PFA
Diaphragm	Modified PTFE
Actuator Housing	Polypropylene

HCl more than 1.1 million cycles

### Standard Options

- Other end connection types available:  
FNPT  
Pipe  
Tube End  
Others not listed
- Fiber optic position sensor
- Custom manifolds

Please consult factory for further details >>



**Saint-Gobain Performance Plastics**  
7301 Orangewood Avenue  
Garden Grove, CA 92841  
1-800-833-5661  
Tel: (714) 630-5818  
Fax: (714) 688-2614

www.furon.com

**NOTE:** The data and details given in this document are correct and up to date. This document is intended to provide information about the product and possible applications. This document is not the product specification and does not provide specific features, nor does it guarantee product performance in specific applications. Saint-Gobain cannot anticipate or control the conditions of the field and for this reason strongly recommends that practical tests are conducted to ensure that the product meets the requirements of a specific application.

Furon®, FlareGrip® and FuseBond™ are registered trademarks of Saint-Gobain Performance Plastics. Nippon Pillar Super 300® is a registered trademark of Nippon Pillar Packing Co.

**IMPORTANT:** It is the user's responsibility to ensure the suitability and safety of Saint-Gobain Performance Plastics products for all intended uses and that the components to be used comply with all applicable regulatory requirements. Saint-Gobain Performance Plastics assumes no responsibility for any product failures that occur due to misuse arising out of the design, fabrication or application of the products into which they are incorporated.

**WARRANTY:** If Product is Purchased by Customer for use: Saint-Gobain warranties that the Product Specifications is for a period of 18 months, provided Customer can establish that the Product did not conform to Specification at time of delivery and the non-conformance of the Product to Specification has not been caused as a result of any action or inaction by the Customer or Customer's storage conditions. If Product is Purchased by Distributor or Reseller: Saint-Gobain warranties that the Product Specifications for a period of 18 months, provided Distributor can establish that the Product did not conform to Specification at time of delivery and the non-conformance of the Product to Specification has not been caused as a result of any action or inaction by the Distributor/Reseller or its or because of storage conditions under which the Product is stored at Distributor/Reseller's and/or Customer/End User's storage facility. THIS IS THE EXCLUSIVE WARRANTY AND IS EXPRESSLY IN LIEU OF ANY AND ALL OTHER OBLIGATIONS, GUARANTEES, WARRANTIES AND REPRESENTATIONS. SAINT-GOBAIN PERFORMANCE PLASTICS DISCLAIMS ALL IMPLIED WARRANTIES OF MERCHANTABILITY AND FITNESS FOR A PARTICULAR PURPOSE.